






DOUBLE PUSH BUTTON

Technical Data

TECHNICAL SPECIFICATION

TYPE OF PROTECTION	Ex "d" – Flameproof Ex "t" – Dust ignition protection	Explosion proof Dust ignition proof	Ex "d" – Flameproof Ex "t" – Dust ignition protection
MARKING	Ex db IIC Gb Ex tb IIIC Db	Class I, Groups B, C, D Class II, Groups E, F, G Class III	II 2 G Ex db IIC / IIB +H ₂ Gb II 2 D Ex tb IIIC Db
AREA OF APPLICATION	Zone 1 Zone 2 Zone 21 Zone 22	Class I, Div 1 & 2, Groups B, C, D. Class II, Div 1 & 2, Groups E, F, G. Class III	Zone 1 Zone 2 Zone 21 Zone 22
INGRESS PROTECTION	IP66W (W: salt spray)	Type 4X	IP66
TEMPERATURE RANGE	-50°C to 60°C (-58°F to 158°F)	-50°C to 60°C (-58°F to 158°F)	-50°C to 100°C (-58°F to 212°F)
THREAD SIZE	M22 x 1,5 3/4" NPSM	M22 x 1,5 3/4" NPSM	M22 x 1,5 3/4" NPSM
THREAD LENGTH	25mm (Normal) 40mm (Long) 57mm (Extra Long)	25mm (Normal) 40mm (Long) 57mm (Extra Long)	25mm (Normal) 40mm (Long) 57mm (Extra Long)
INSTALLATION	for M22x1,5 THREAD in Ex "d" enclosures : (min. wall thickness : 8 mm engaged thread) in Ex "tb" enclosures : (min. wall thickness : 3 mm engaged thread)	for M22x1,5 THREAD in Ex "d" enclosures : (min. 6 fully engaged threads) in Ex "tb" enclosures : (min. 3 fully engaged threads)	for M22x1,5 THREAD in Ex "d" enclosures : (min. wall thickness : 8 mm engaged thread) in Ex "tb" enclosures : (min. wall thickness : 3 mm engaged thread)
	for 3/4" NPSM THREAD in Ex "d" enclosures : (min. 5 fully engaged threads) in Ex "tb" enclosures : (min. wall thickness : 3,7 mm engaged thread)	for 3/4" NPSM THREAD in Ex "d" enclosures : (min. 7 fully engaged threads) in Ex "tb" enclosures : (min. 3 fully engaged threads)	for 3/4" NPSM THREAD in Ex "d" enclosures : (min. 5 fully engaged threads) in Ex "tb" enclosures : (min. wall thickness : 3,7 mm engaged thread)
CERTIFICATE OF COMPLIANCE	Segurança  OCP 0007 		 
	INMETRO CEPEL 97.0007U	UL UL: E489210	ATEX I IECEx UL 21 ATEX 2390U IECEx ULBR 21.0004U

DOUBLE PUSH BUTTON

Technical Data

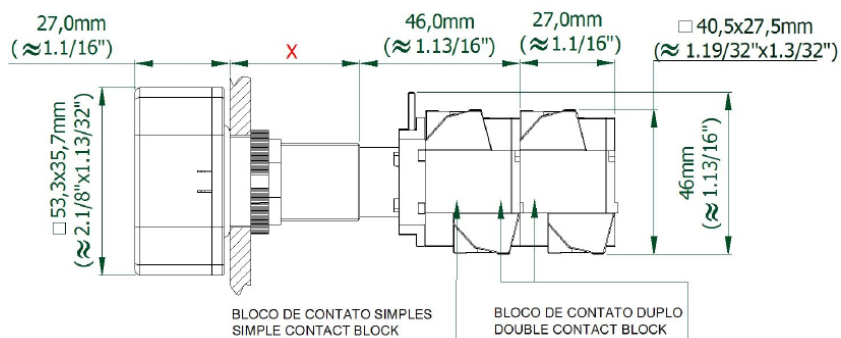
ELECTRICAL INFORMATION

CONTACT BLOCKS INFORMATION		
RATED VOLTAGE	Ui 500V	
RATED CURRENT	Ith 10A	
CONTACTS FOR AC15	VOLTAGE	CURRENT
	220V	10A
	380V	7,5A
CONTACTS FOR DC13	500V	5A
	VOLTAGE	CURRENT
	24V	2,75A
	60V	1,10A
110V	0,55A	
220V	0,27A	

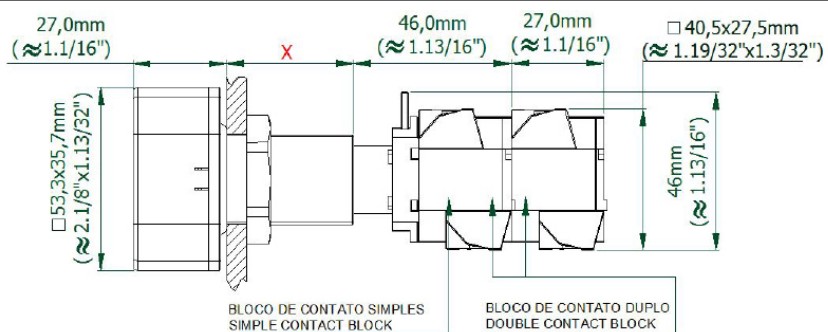
DIMENSIONS

X	
mm	inch
25mm	≈ 1"
40mm	≈ 1.19/32"
57mm	≈ 2.1/4"

M22 X 1,5



3/4"NPSM



DOUBLE PUSH BUTTON

Ordering Code

ORDERING CODE

SGEXXBD A + B1 + B2 + C

X

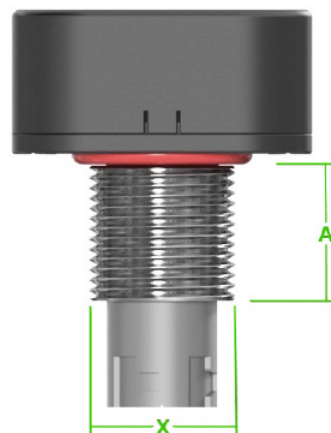
THREAD SIZE

size	M22x1,5	3/4"NPSM
code	22	26

A

THREAD LENGTH

length	25mm	40mm	57mm
code	N	L	X



B1

COLOR



color	Blue	Yellow	Red	Green	White	Black
code	AZ	AM	VM	VD	BR	PR

B2

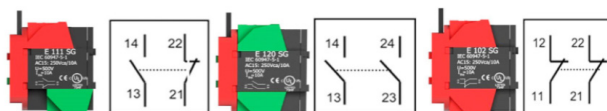
COLOR



color	Blue	Yellow	Red	Green	White	Black
code	AZ	AM	VM	VD	BR	PR

C

CONTACT BLOCKS



	NONC	2NO	2NC
code	11	20	02

SPECIAL CONTACT BLOCK

DOUBLE CONTACT BLOCKS











	1NO3NC	4NC	4NO	3NO1NC	2NO2NC
code	13	04	40	31	22

DOUBLE PUSH BUTTON

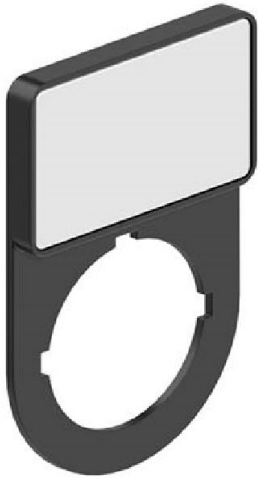
Codification Examples & Accessories

CODIFICATION EXAMPLES

 SGEX26BD	+	3/4NPSM LENGTH 25MM L	+	 VD	+	 VM	+	 11	=	SGEX26BDLVDVM11
 SGEX22BD	+	M22X1,5 LENGTH 25MM N	+	 PR	+	 PR	+	 20	=	SGEX22BDNPRPR20

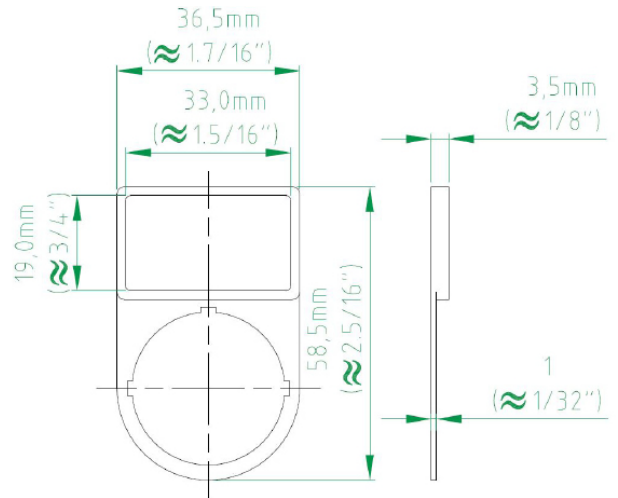
ACCESSORIES

IDENTIFICATION PLATE (for M22x1,5 or 3/4 NPSM thread)



CODE	S3PL1		
PRINTABLE AREA	33x19 mm		
G00	LIGA	G05	STOP
G01	DESLIGA	G06	RESET
G02	ABRE	G07	OPEN
G03	FECHA	G08	CLOSE
G04	START	G09	

DIMENSIONS (mm)



LOCK FOR PRESSED POSITION (for 3/4 NPSM or M22x1,5 thread)



CODE **TRAVABD**

The **TRAVABD** allows the button to be locked in the pressed position.

DIMENSIONS (mm)

