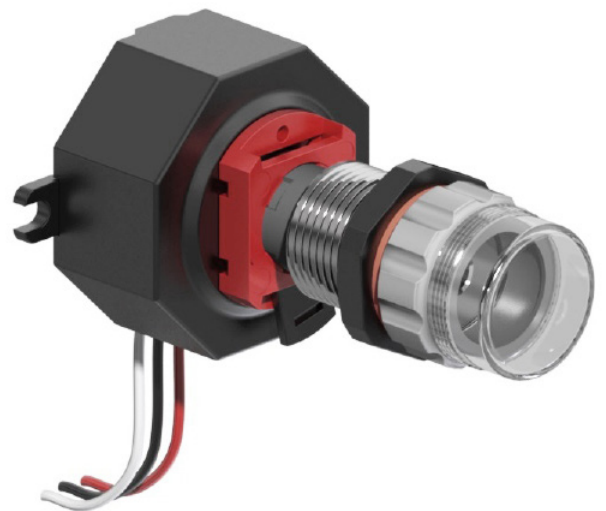


PHOTOCELL

PM



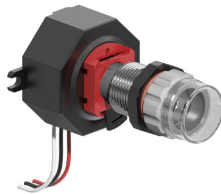
sermat **GRÜN**
ex

REV.17 / 19.10.2023

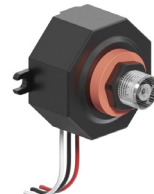
PHOTOCELL-PM

Technical Data

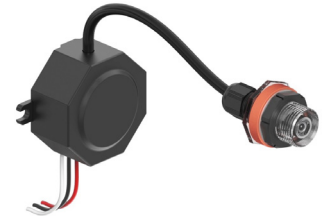
TECHNICAL SPECIFICATION



PM001



PM002



PM003

TYPE OF PROTECTION	Ex "d" – Flameproof Ex "t" – Dust ignition protection Ex "e" - Increased Safety Ex "m"- Encapsulated	Ex "m" - Encapsulated Ex "e"- Increased Safety Ex "t"- Dust ignition protection	Ex "m" - Encapsulated Ex "e"- Increased Safety Ex "t"- Dust ignition protection
MARKING	Ex db IIC Gb Ex eb mb IIC Gb Ex tb IIIC Db Ex mb tb IIIC Db	Ex eb mb IIC Gb Ex mb tb IIIC Db	Ex eb mb IIC Gb Ex mb tb IIIC Db
AREA OF APPLICATION	Zone 1 Zone 2 Zone 21 Zone 22	Zone 1 (Ex "e" only) Zone 2 Zone 21 Zone 22	Zone 1 (Ex "e" only) Zone 2 Zone 21 Zone 22
INGRESS PROTECTION	IP66	IP66	IP66
TEMPERATURE RANGE	-40°C to 80°C	-40°C to 80°C	-40°C to 80°C
THREAD SIZE	M22 x 1.5 3/4" NPSM	3/8" BSP (Inmetro only) M20 x 1.5	3/8" BSP (Inmetro only) M20 x 1.5
CABLE COLORS	Black (PR), Red (VM), White (BR)	Black (PR), Red (VM), White (BR)	Black (PR), Red (VM), White (BR)
MAXIMUM LOAD	1.0 kW - Resistive Loads 1.0 kVA - Load with FP < 1	1.0 kW - Resistive Loads 1.0 kVA - Load with FP < 1	1.0 kW - Resistive Loads 1.0 kVA - Load with FP < 1
FREQUENCY	50 / 60 Hz	50 / 60 Hz	50 / 60 Hz
RATED CURRENT	6 A	6 A	6 A
VOLTAGE RANGE	115/230 Vac (+/- 10%)	115/230 Vac (+/- 10%)	115/230 Vac (+/- 10%)
POWER CONSUMPTION	< 1,0 W	< 1,0 W	< 1,0 W
INSTALLATION	PM001 is installed by the coupling of the pilot light SG-EX PL to the photocell base. Can be installed on enclosures and light fixtures. In Ex "d" enclosures: min. 5 fully engaged threads (for 3/4" NPSM), or min. 8mm engaged thread (for M22x1.5). In Ex "tb" enclosures: min. wall thickness: 3.7mm engaged thread (for 3/4"NPSM) or 3mm engaged thread (for M22x1.5).	Fixed on top, PM002 can be installed on enclosures and light fixtures, through 3/8"BSP or M20x1.5 thread or hole without thread. Min wall thickness: 3mm. Ø hole without thread: 17 mm (3/8" BSP) 20.5 mm (M20x1.5)	Fixed by the base, PM003 photocell has a extension cord that provides more flexibility on the sensor placement. Can be installed on enclosures and light fixtures, through 3/8"BSP or M20x1.5 thread or hole without thread. Min wall thickness: 3mm. Ø hole without thread: 17 mm (3/8" BSP) 20.5 mm (M20x1.5)

CERTIFICATE OF COMPLIANCE



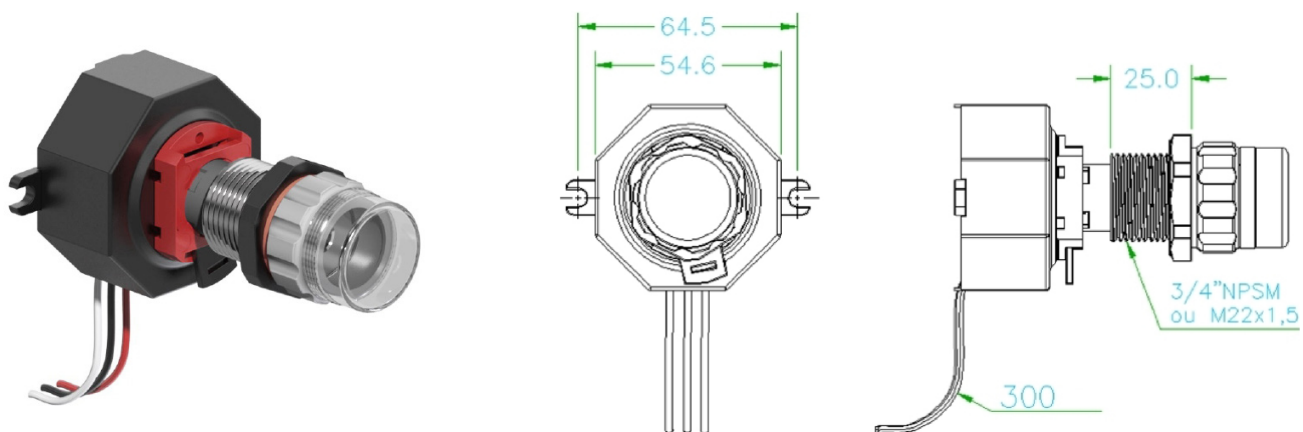
INMETRO	ATEX	I	IECEx
CEPEL 97.0007U (PM001) CEPEL 20.2513U (PM001, PM002 and PM003)	IECEx ULBR 21.0004U ; UL21 ATEX 2390U (PM001) IECEx ULBR23.0004U ; UL 23 ATEX 3033U (PM001, PM002 e PM003)		

PHOTOCELL-PM

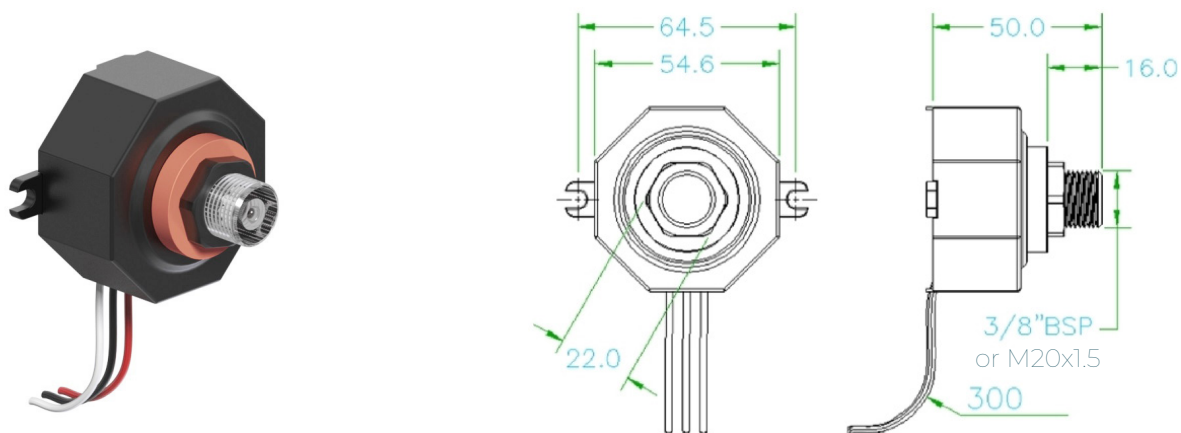
Technical Data

DIMENSIONS

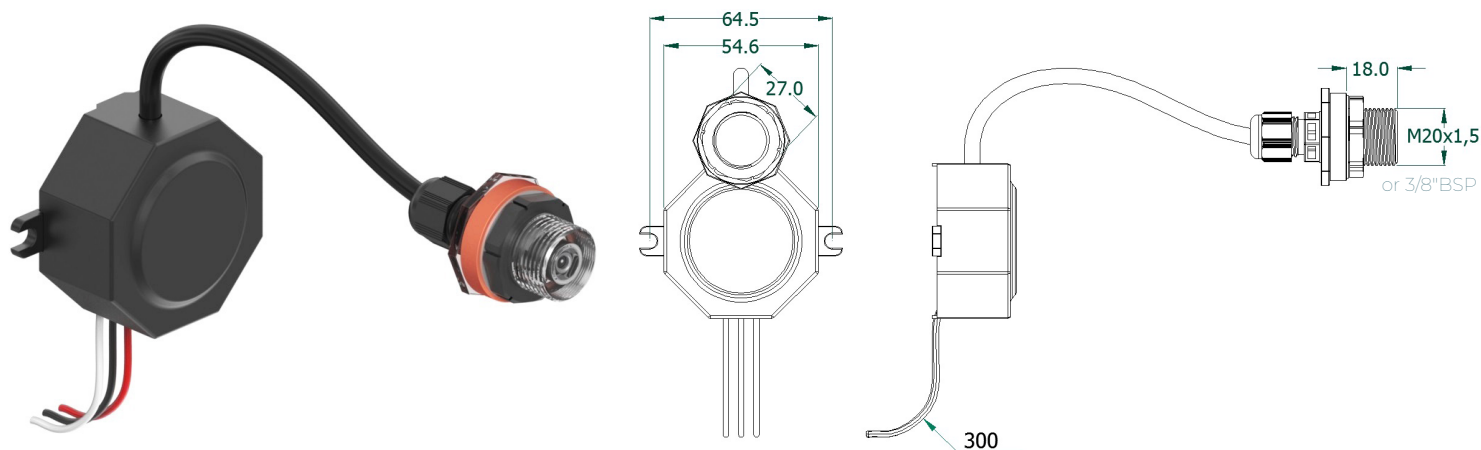
PM001



PM002



PM003

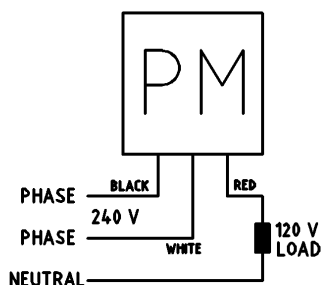
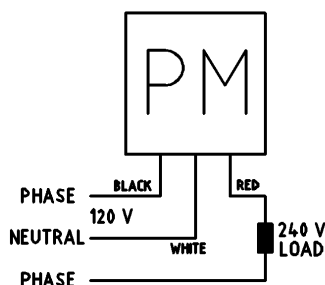
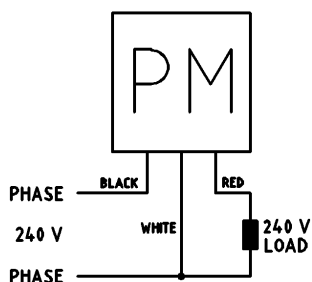
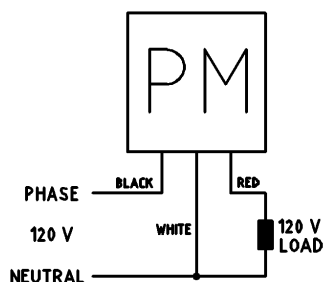


PHOTOCELL-PM

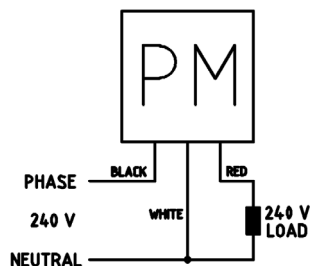
Technical Data

ELECTRICAL SCHEME

for 120 V / 240 V network



for 240 V / 400 V network

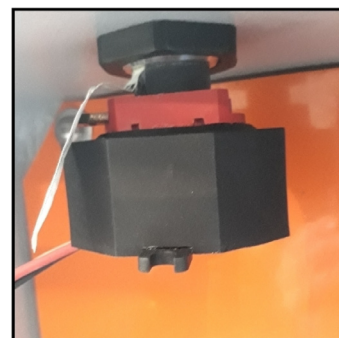
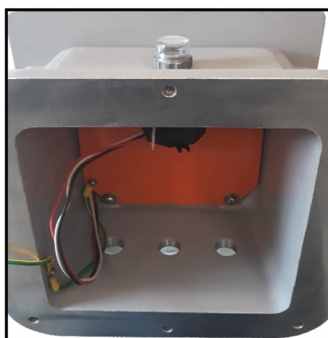


INSTALLATION

PM001

INSTALLATION IN LUMINAIRES AND ENCLOSURES FOR ZONE 1 (INCLUDING FLAMEPROOF EX "D"), ZONE 2, ZONE 21 AND 22

PHOTOCELL PM001



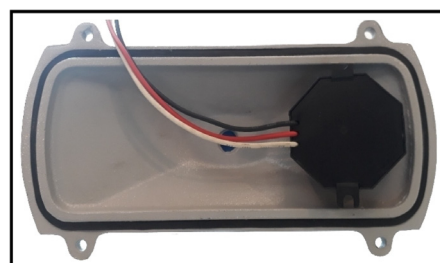
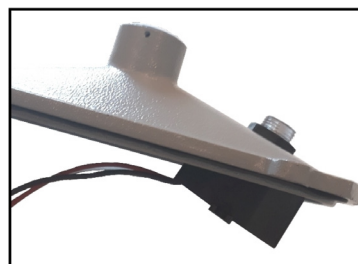
PHOTOCELL-PM

Technical Data

INSTALLATION

PM002 OR PM003

INSTALLATION IN LUMINAIRES AND ENCLOSURES FOR ZONE 1 (INCLUDING INCREASED SAFETY EX "E"), ZONE 2, ZONE 21



PHOTOCELL PM002

