

PRESENCE SENSOR - IMRRSP

Technical Data

SPECIFICATIONS

TYPE OF PROTECTION	Ex "d" - flameproof Ex "e" - increased safety Ex "t" - dust ignition protection
MARKING	Ex de IIC T6 Gb Ex tb IIIC T85°C Db
AREA OF APPLICATION	Zone 1 Zone 2 Zone 21 Zone 22
INGRESS PROTECTION	IP66
TEMPERATURE CLASS	T6
WORK FREQUENCY	10 GHz
TYPICAL RADIATED POWER	16 dBm
MAXIMUM RADIATED POWER	20 dBm
MAXIMUM RADIATED POWER DENSITY	< 4 mW/cm ² (glass face of the enclosure)
REACH / SENSITIVITY	High / Low (selection jump)
TIMING	Adjustable: 2 s / 1 min / 4 min. (selection jump)
PHOTOCELL	Yes - 10 lux, with jump enable.
CONSUMPTION	< 1 W (typical)
WORK TEMPERATURE	-20°C to +60°C
WORKING VOLTAGE	100 Vac to 240 Vac - 50/60Hz (Automatic)
MAXIMUM OUTPUT POWER	up to 600 W / 127 V or 900 W / 220 V (Resistive)
OUTPUT MODE	Dry Contact SPDT (C, NA, NF) through terminal block
PROTECTIONS	Over input voltage and abnormal heating
CERTIFICATIONS	

Segurança



INMETRO

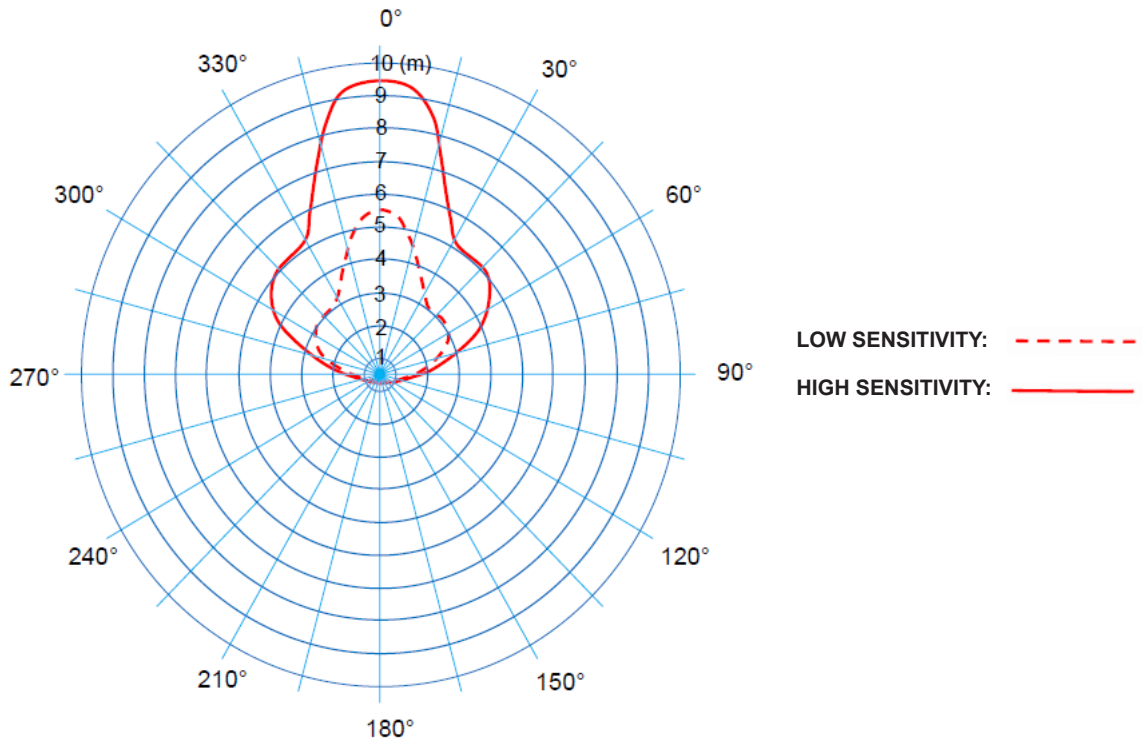
CEPEL 03.0070

PRESENCE SENSOR - IMRRSP

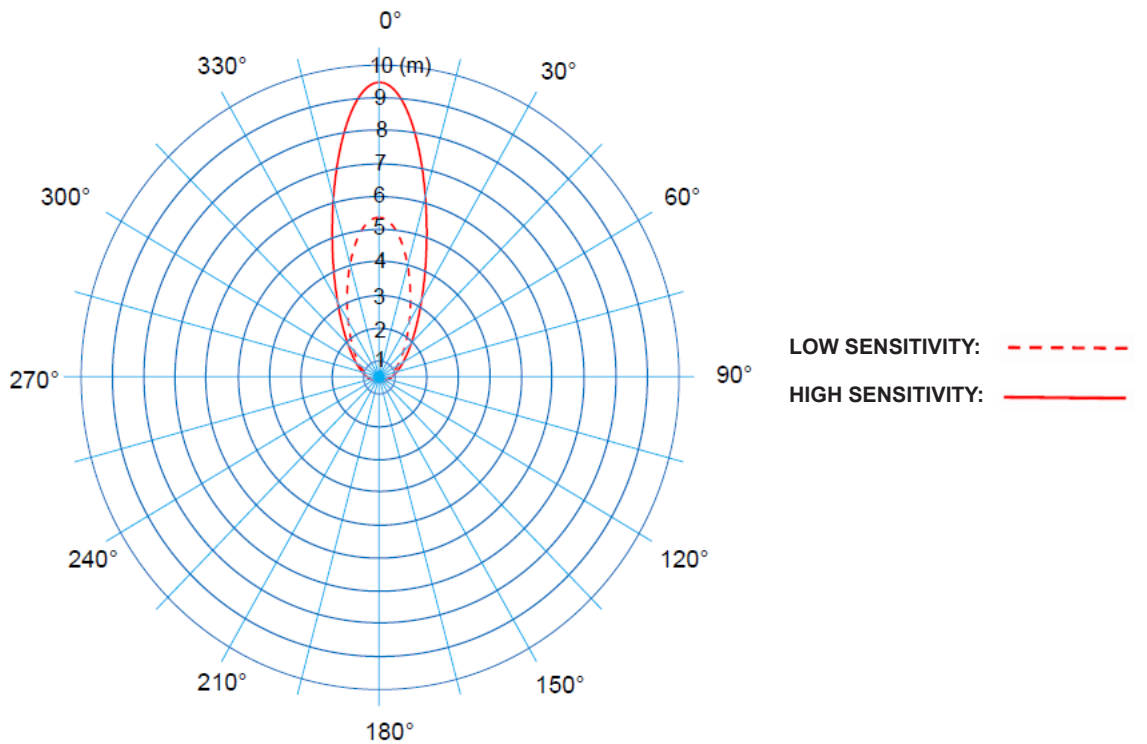
Technical Data

COVERED AREA

TOP VIEW - HORIZONTAL



SIDE VIEW - VERTICAL

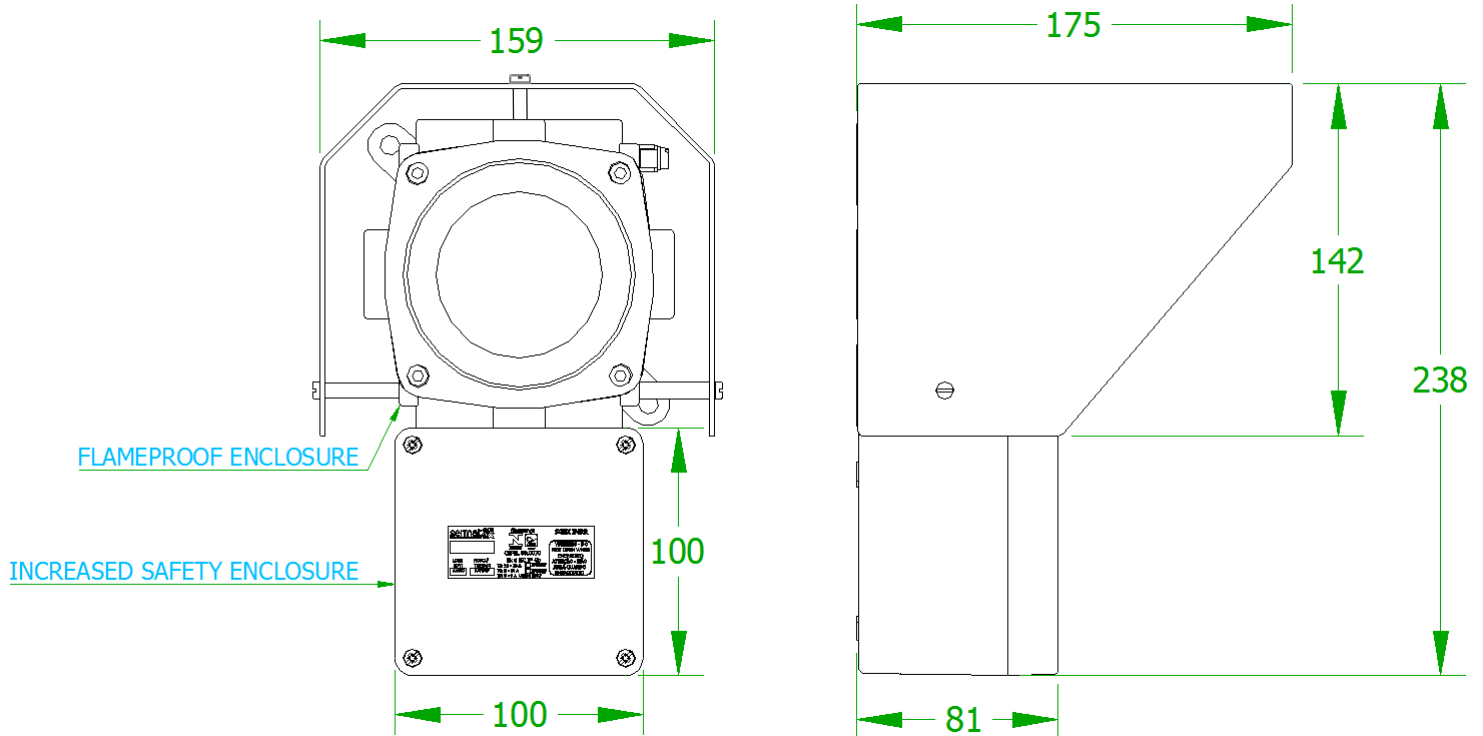


PRESENCE SENSOR - IMRRSP

Technical Data

DIMENSIONS

IMRRSP



Dimensions in mm.