

# LAMP AUTONOMOUS BLOCK

DMJ B



sermat **GRÜN**  
**ex**

REV.01/ 06.03.2025

# AUTONOMOUS BLOCK LAMP- DMJ B

## Technical data

### ESPECIFICAÇÕES

TYPE OF PROTECTION	Ex "e" - increased security Ex "m" - encapsulated Ex "q" - immersed in sand Ex "op is" - inherently safe optic radiation Ex "t" - dust ignition protection
MARKING	Ex eb mb q op is IIC T6 Gb (lamps with other power range) Ex tb op is IIIC T77°C Db (lamps with other power range)
AREA OF APPLICATION	Zone 1 Zone 2 Zone 21 Zone 22
INGRESS PROTECTION	IP66W (W: Salt Spray)
TEMPERATURE OF OPERATION (ENVIRONMENT)	-40°C to +50°C (-40°F to 122°F)
CABLES INPUT/OUTPUT	4 inputs/outputs, mounted with 1 to 4 cable glands M20x1.5 or M25x1.5. Cable gland M25x1.5 for cables with Ø 10 mm to Ø 17 mm. Cable gland M20x1.5 for cables with Ø 7 mm to Ø 13 mm. .
OPERATING VOLTAGE	108 / 254 Vac/cc 50 / 60 Hz
CURRENT	max.. 570 mA
POWER	10 W
LUMINOUS FLUX	± 1040 lm
LAMP	LED
WEIGHT	4,0 kg
TIME OF AUTONOMY IN EMERGENCY	180min
CRI	80
VERSIONS	Autonomous Block (DMJ B...)
VIBRATION RESISTANCE	According to ABNT NBR IEC 60598-1
COLOR TEMPERATURE (TCC)	5700 K
SIZES	P: 373mm

CERTIFICATIONS

### Segurança



OCP 0034



INMETRO

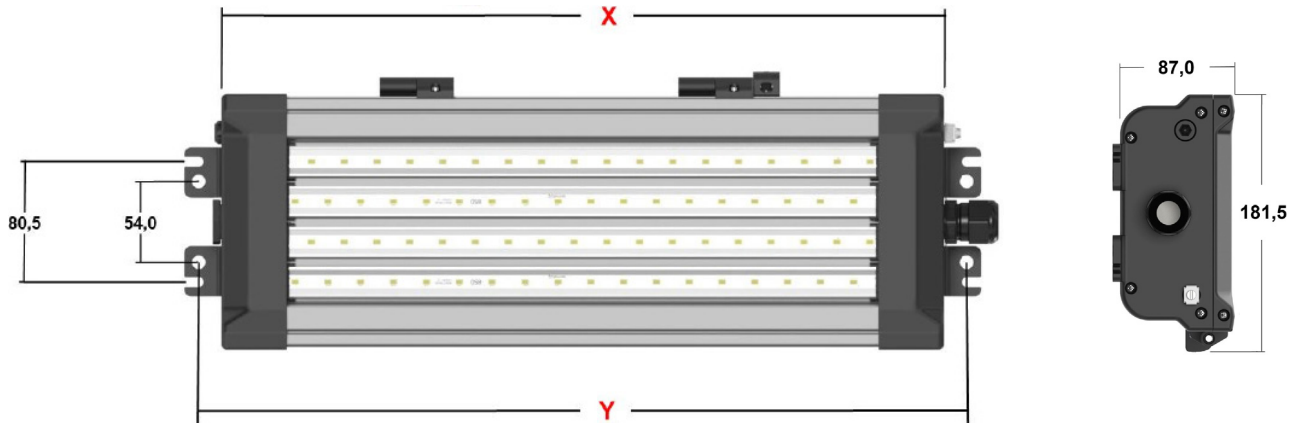
INMETRO

NCC 24.0139 X

# AUTONOMOUS BLOCK LAMP - DMJ B

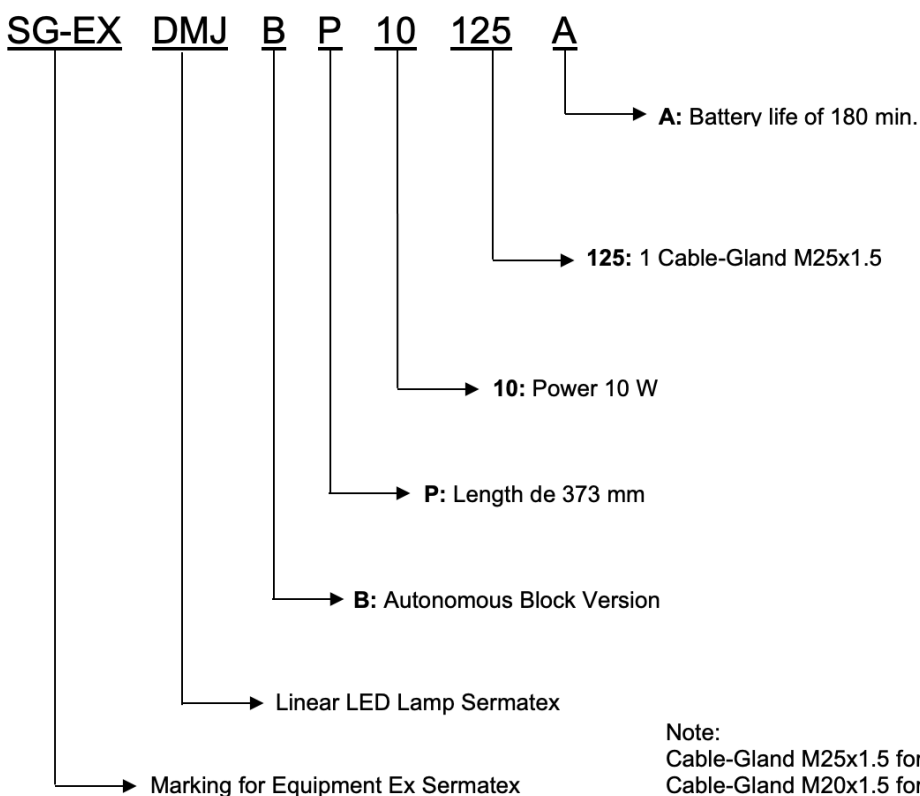
Technical data

## DIMENSIONS (MM)



X	Y
373 mm	403 mm

## ORDERING CODE

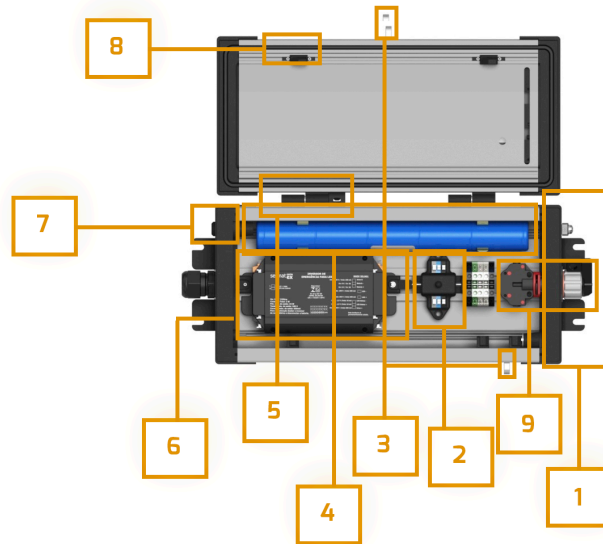


Note:  
Cable-Gland M25x1.5 for cables with  $\varnothing$  10 to 17 mm.  
Cable-Gland M20x1.5 for cables from  $\varnothing$  7 to 13 mm.

# AUTONOMOUS BLOCK LAMP - DMJ B

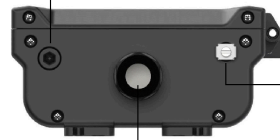
Technical data

## FEATURES



1

DEVICE FOR OPENING AND CLOSURE WITH A TOOL, CONNECTED TO A UNMISSABLE BRACELET



GROUNDING TERMINAL

CABLE GLAND EX 'E'

2

MICRO SWITCH - THE LIGHT IS DE-ENERGIZED WHEN THE COVER IS OPENED

3

'DROPS' CONCEPT - PROTECTION AGAINST FALLS

4

BATTERY PACK WITH AUTONOMY OF 90MIN. OR 180MIN.

5

REMOVAL OF THE COVER WITH THE SAME OPENING TOOL

6

INVERTER 'EX'

7

VENT TO AVOID CONDENSATION INSIDE THE LAMP

8

CLOSING WITH QUICK COUPLING

9

ROTARY SWITCH 'EX E'

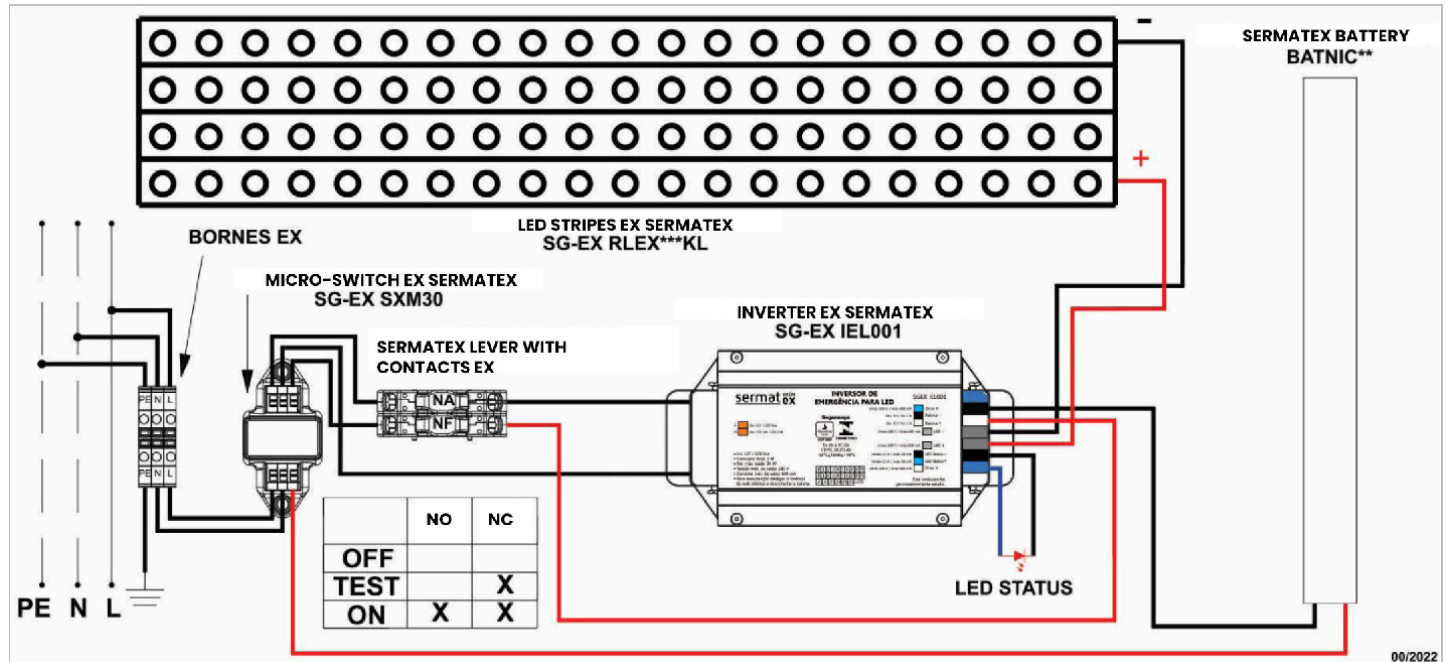
10

MAINTENANCE USING HANDS ONLY

# AUTONOMOUS BLOCK LAMP - DMJ B

Technical data

## ELECTRICAL SCHEME



# AUTONOMOUS BLOCK LAMP - DMJ B

## Technical data

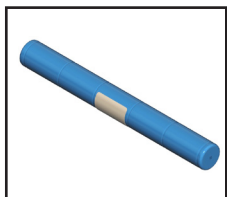
### REPLACEMENT ITEMS



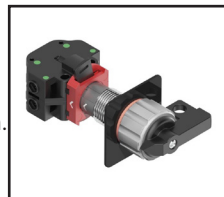
Code: SG-EX IEL001  
Description: Inverter Ex 70 W



Code: SG-EX SXM30  
Description: 3 NO Micro-Switch Ex



Code: BATNIC03  
Description: Battery Pack Auton. 180 min.



Code: SG-EX22GCAGC1A10EX  
Description: 1 NO Switch Ex



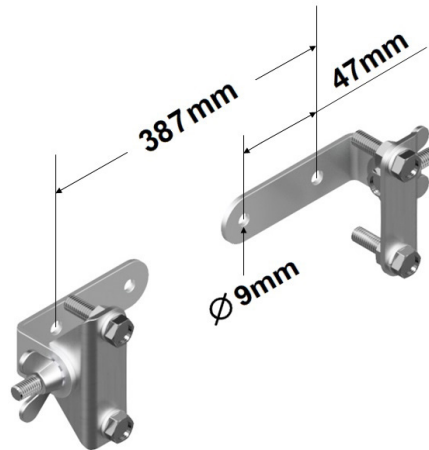
Code: TDMJBPI0  
Description: Autonomous Block Lamp Cover with 10 W LED Stripes Ex

# AUTONOMOUS BLOCK LAMP - DMJ B

Technical data

 FIXATION BRACKET

BRACKET WITH ADJUSTABLE TILTING FOR WALL FIXING



Code: SUPDMJBAFPA

