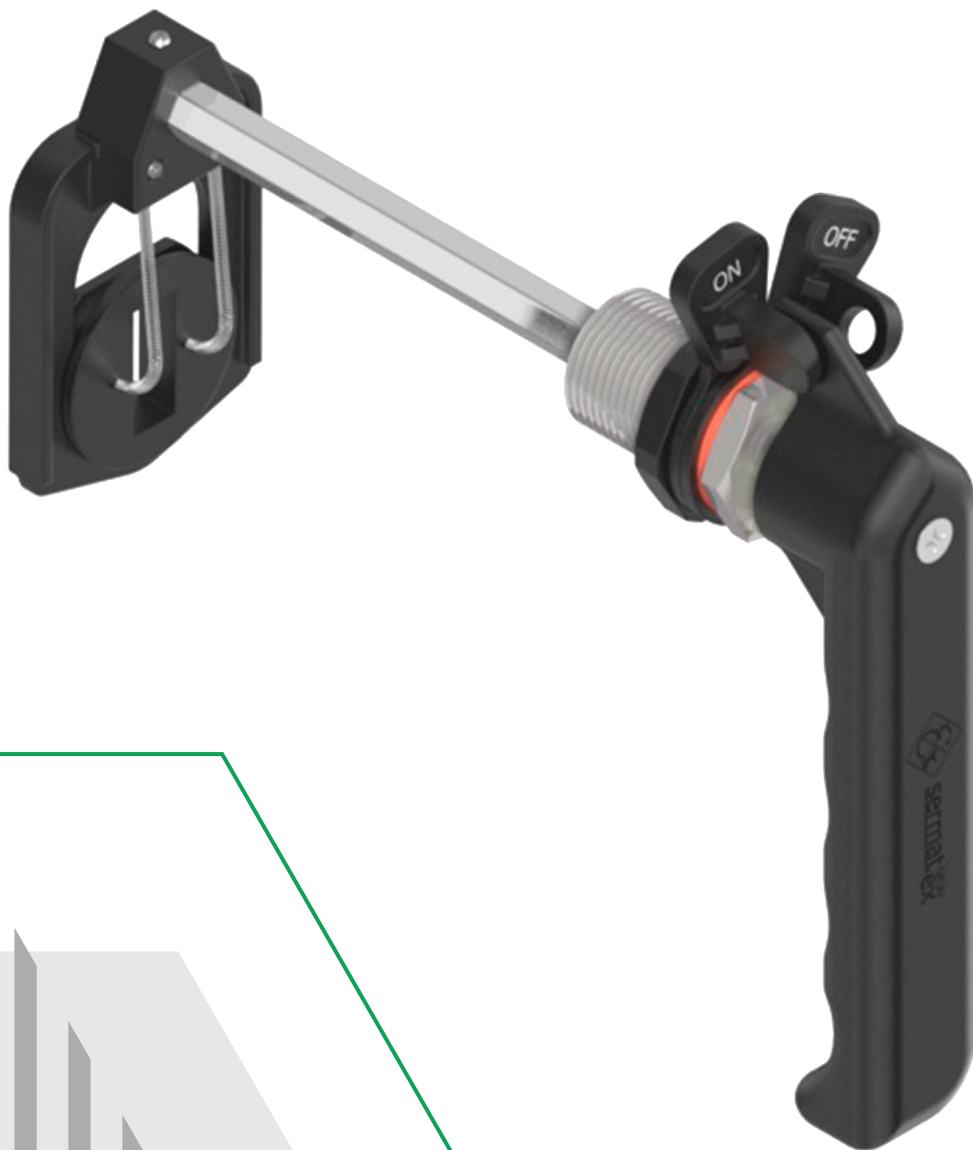


CIRCUIT BREAKER ACTUATOR

ADJUSTABLE
ADA2








sermat **GRÜN**
ex

REV.25 / 05.03.2025

CIRCUIT BREAKER ACTUATOR - ADJUSTABLE

Technical Data

TECHNICAL SPECIFICATION

TYPE OF PROTECTION	Ex "d" – Flameproof Ex "t" – Dust ignition protection	Explosion proof Dust ignition proof	Ex "d" – Flameproof Ex "t" – Dust ignition protection
MARKING	Ex db IIC Gb Ex tb IIIC Db	Class I, Groups B, C, D Class II, Groups E, F, G Class III	II 2 G Ex db IIC / IIB +H ₂ Gb II 2 D Ex tb IIIC Db
AREA OF APPLICATION	Zone 1 Zone 2 Zone 21 Zone 22	Class I, Div 1 & 2, Groups B, C, D. Class II, Div 1 & 2, Groups E, F, G. Class III	Zone 1 Zone 2 Zone 21 Zone 22
INGRESS PROTECTION	IP66W (W: salt spray)	Type 4X	IP66
TEMPERATURE RANGE	-50°C to 60°C (-40°F to 158°F)	-50°C to 60°C (-40°F to 158°F)	-50°C to 100°C (-40°F to 212°F)
THREAD SIZE	M22 x 1,5 3/4" NPSM	M22 x 1,5 3/4" NPSM	M22 x 1,5 3/4" NPSM
THREAD LENGTH	25mm (Normal) 40mm (Long)	25mm (Normal) 40mm (Long)	25mm (Normal) 40mm (Long)
INSTALLATION	for M22x1,5 THREAD	for M22x1,5 THREAD	for M22x1,5 THREAD
	in Ex "d"enclosures : (min. wall thickness : 8 mm engaged thread) in Ex "tb" enclosures : (min. wall thickness : 3 mm engaged thread)	in Ex "d"enclosures : (min. 6 fully engaged threads) in Ex "tb" enclosures : (min. 3 fully engaged threads)	in Ex "d"enclosures : (min. wall thickness : 8 mm engaged thread) in Ex "tb" enclosures : (min. wall thickness : 3 mm engaged thread)
CERTIFICATE OF COMPLIANCE	for 3/4"NPSM THREAD	for 3/4"NPSM THREAD	for 3/4"NPSM THREAD
	in Ex "d"enclosures : (min. 5 fully engaged threads) in Ex "tb" enclosures : (min. wall thickness : 3,7 mm engaged thread)	in Ex "d"enclosures : (min. 7 fully engaged threads) in Ex "tb" enclosures : (min. 3 fully engaged threads)	in Ex "d"enclosures : (min. 5 fully engaged threads) in Ex "tb" enclosures : (min. wall thickness : 3,7 mm engaged thread)
	  INMETRO OCP 0034 NCC 24.0128 U	 UL LISTED UL UL: E489210	  ATEX I IECEx UL 21 ATEX 2390U IECEx ULBR 21.0004U

APPLICATION

Ideal for use in flameproof circuit breaker panel boards. Utilized for movement the breaker with an external rotary lever.

Easily adjustable by moving the fork on the stainless steel rod. Spring return to center position.

CIRCUIT BREAKER ACTUATOR - ADJUSTABLE

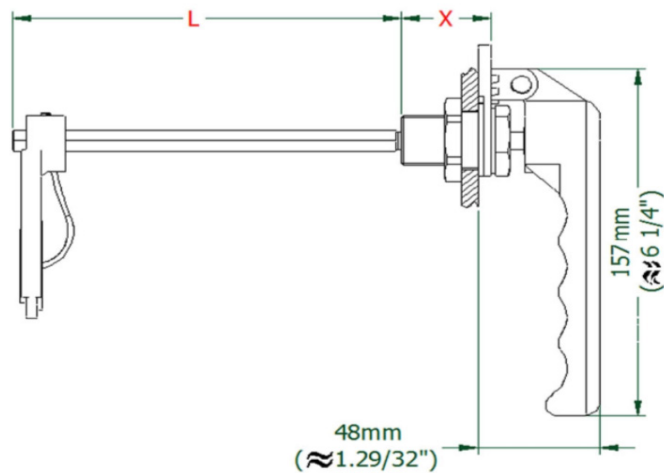
Technical Data

DIMENSIONS

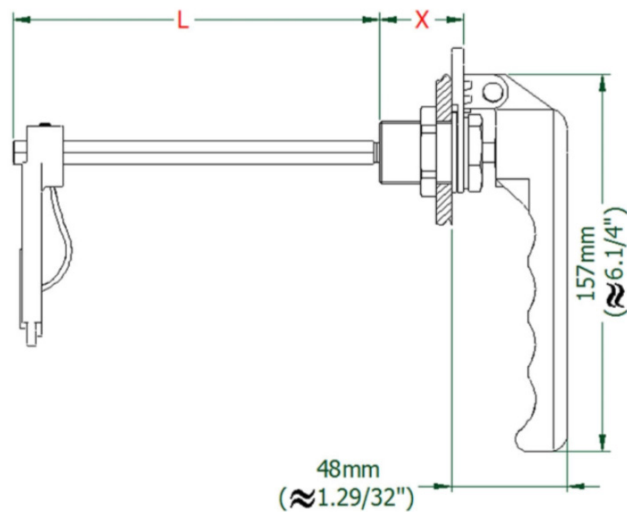
L	
mm	inch
150mm	≈ 5.29/32"
200mm	≈ 7.7/8"

X	
mm	inch
35mm	≈ 1.3/8"
50mm	≈ 1.31/32"

M22 X 1,5



3/4" NPSM



CIRCUIT BREAKER ACTUATOR - ADJUSTABLE

Ordering Code

ORDERING CODE

SGEXXADA2 A + B + C + D + E

X

THREAD SIZE

size	M22x1,5	3/4"NPSM
code	22	26

A

THREAD LENGTH

length	35mm	50mm
code	N	L

B

AUTOMATIC RETURN



	CLOCKWISE	COUNTERCLOCKWISE
code	H	A

C

FORK MODEL



	SLIDER Ø22mm	SLIDER 15x26mm	SLIDER 12x26mm	SLIDER 10x26mm
code	22D	15G	12G	10G

D

STAINLESS STEEL ROD LENGHT



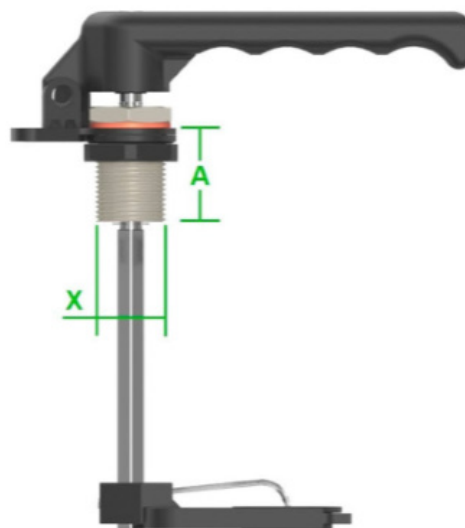
L	
code	size
150	150mm
200	200mm

E

EXTERNAL LIMITER FOR PADLOCK



	LIGA/DESIGA	ON/OFF
code	B1	B2



CIRCUIT BREAKER ACTUATOR - ADJUSTABLE

Codification Examples

CODIFICATION EXAMPLES

 SGEX26ADA2	+	3/4NPSM LENGTH 25MM N	+	 H	+	 SLIDER Ø22mm 22D	+	 L=150 150	+	 ON/OFF B2
= SGEX26ADA2NH22D150B2										

 SGEX22ADA2	+	M22X1,5 LENGTH 25MM N	+	 A	+	 SLIDER 10x26mm 10G	+	 L=200 200	+	 ON/OFF B2
= SGEX22ADA2NA10G200B2										