

# SWITCH LEVEL WITH ADJUSTABLE TWO POINTS OF PRACTICE FOR APPLICATION IN ZONE 0, 1 and 2 **CNGAGB1**



**sermat** **GRÜN**  
**ex**

REV.04 / 27.02.2025

p. 1 of 3

# SWITCH LEVEL

## Technical data

### SPECIFICATIONS

TYPE OF PROTECTION	Ex "m" – Encapsulated
MARKING	Ex mb IIC T6 G <sub>a</sub> /Gb
AREA OF APPLICATION	Zone 0 Zone 1 Zone 2
INGRESS PROTECTION	IP67
WORKING TEMPERATURE	-20 to 70C
RATED VOLTAGE	150Vca/cc
POWER OF LAMPS	10W/VA
MAX. CURRENT	0,5A
FUNCTION	Normally used to control the level of fluids in tanks of diesel.
CERTIFICATE OF CONFORMITY	

### Segurança



OCP 0034



INMETRO

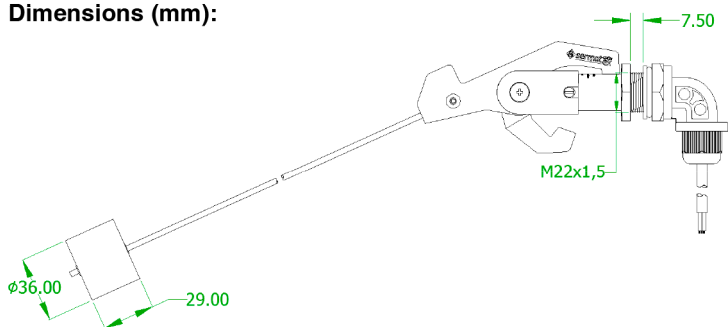
INMETRO

CEPEL 12.2162X

### DIMENSIONS(MM)

#### CNGAGB1

Dimensões (mm):  
Dimensions (mm):



# SWITCH LEVEL

## Technical data

### ADJUSTABLE OPERATION LEVEL

Adjustable Operation Level			
Level 1 (nível 1)	100mm	Level 1 (nível 1)	80mm
Level 2 (nível 2)	170mm	Level 2 (nível 2)	130mm
Level 3 (nível 3)	200mm	Level 3 (nível 3)	140mm
Side Installation		Top Installation	

