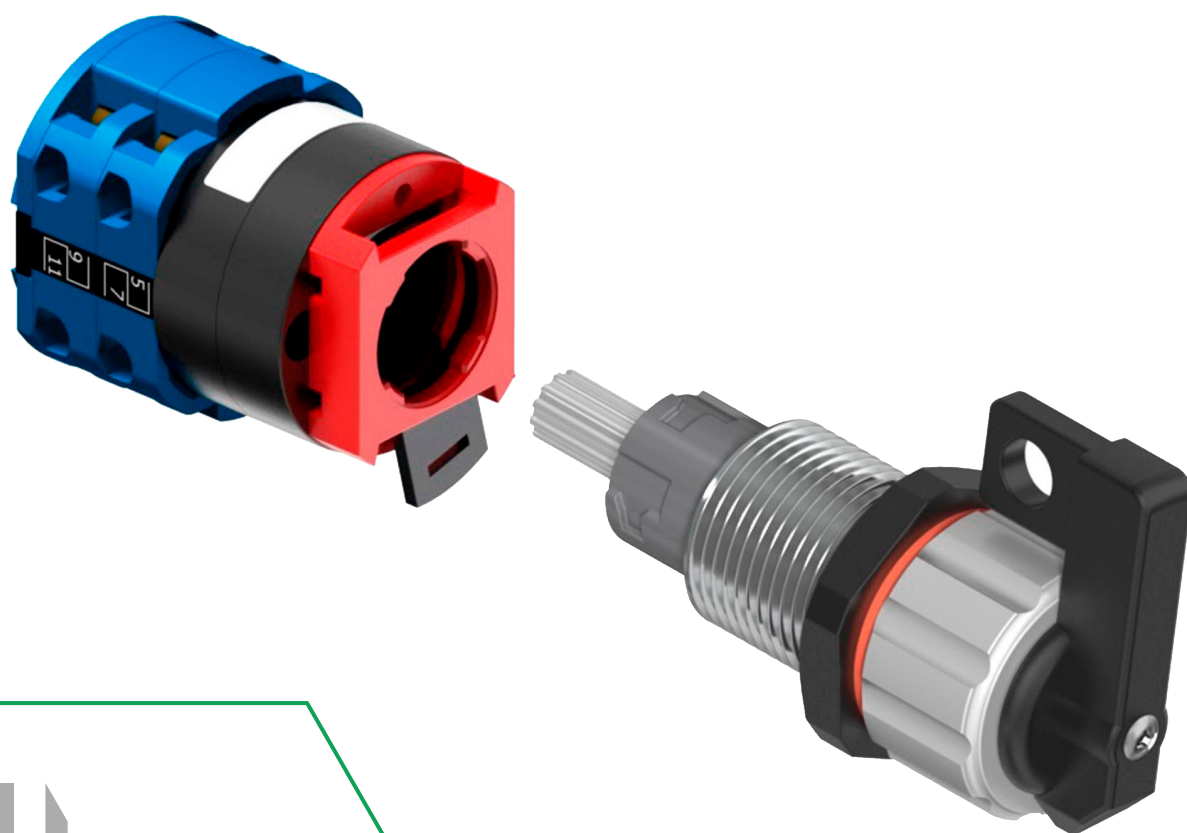


ROTARY SWITCHES WITH CAGE

GCAG








sermat^{GRÜN}ex

REV.22 / 06.03.2025

ROTARY SWITCHES WITH CAGE

Technical Data

TECHNICAL SPECIFICATION

TYPE OF PROTECTION	Ex "d" – Flameproof Ex "t" – Dust ignition protection	Explosion proof Dust ignition proof	Ex "d" – Flameproof Ex "t" – Dust ignition protection
MARKING	Ex db IIC Gb Ex tb IIIC Db	Class I, Groups B, C, D Class II, Groups E, F, G Class III	II 2 G Ex db IIC / IIB +H ₂ Gb II 2 D Ex tb IIIC Db
AREA OF APPLICATION	Zone 1 Zone 2 Zone 21 Zone 22	Class I, Div 1 & 2, Groups B, C, D. Class II, Div 1 & 2, Groups E, F, G. Class III	Zone 1 Zone 2 Zone 21 Zone 22
INGRESS PROTECTION	IP66W (W: salt spray)	Type 4X	IP66
TEMPERATURE RANGE	-50°C to 60°C (-40°F to 158°F)	-50°C to 60°C (-40°F to 158°F)	-50°C to 100°C (-40°F to 212°F)
THREAD SIZE	M22 x 1,5 3/4" NPSM	M22 x 1,5 3/4" NPSM	M22 x 1,5 3/4" NPSM
THREAD LENGTH	25mm (Normal) 40mm (Long) 57mm (Extra Long)	25mm (Normal) 40mm (Long) 57mm (Extra Long)	25mm (Normal) 40mm (Long) 57mm (Extra Long)
INSTALLATION	for M22x1,5 THREAD in Ex "d" enclosures : (min. wall thickness : 8 mm engaged thread) in Ex "tb" enclosures : (min. wall thickness : 3 mm engaged thread)	for M22x1,5 THREAD in Ex "d" enclosures : (min. 6 fully engaged threads) in Ex "tb" enclosures : (min. 3 fully engaged threads)	for M22x1,5 THREAD in Ex "d" enclosures : (min. wall thickness : 8 mm engaged thread) in Ex "tb" enclosures : (min. wall thickness : 3 mm engaged thread)t
	for 3/4"NPSM THREAD in Ex "d" enclosures : (min. 5 fully engaged threads) in Ex "tb" enclosures : (min. wall thickness : 3,7 mm engaged thread)	for 3/4"NPSM THREAD in Ex "d" enclosures : (min. 7 fully engaged threads) in Ex "tb" enclosures : (min. 3 fully engaged threads)	for 3/4"NPSM THREAD in Ex "d" enclosures : (min. 5 fully engaged threads) in Ex "tb" enclosures : (min. wall thickness : 3,7 mm engaged thread)
CERTIFICATE OF COMPLIANCE	Segurança  OCP 0034  INMETRO	 UL LISTED	  IECEx
	INMETRO NCC 24.0128 U	UL UL: E489210	ATEX I IECEx UL 21 ATEX 2390U IECEx ULBR 21.0004U

ROTARY SWITCHES WITH CAGE

Technical Data

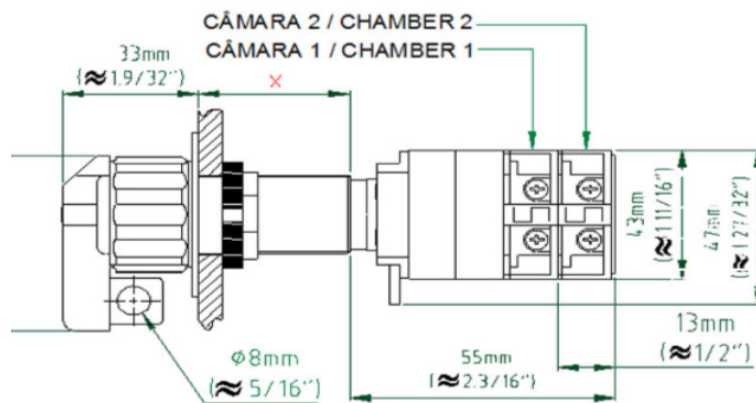
ELECTRICAL INFORMATION

BREAKING CAPACITY FOR AC		RATED CURRENT 20A	BREAKING CAPACITY FOR DC		RATED CURRENT 20A		RATED VOLTAGE	690V					
AC-3	220V-240V	3,0 kW	RESISTIVE LOADS T<1ms	24V	48V	60V	110V	RATED CURRENT	20A				
	380V-440V	5,5 kW		20A	12A	4.5A	1A	SWITCHING ANGLES	30°, 45°, 90°				
AC-15	220V-240V	5 A		INDUCTIVE LOADS T= 50ms	12A	2A	1A	0,4A	TERMINALS	2 x 2,5mm			
	380V-440V	4 A							MAX. N° CONTACT CHAMBERS	6			
AC-22A	220V-240V	20 A											
	380V-440V	20 A											
AC-23A	220V-240V	3,7 kW											
	380V-440V	7,5 kW											

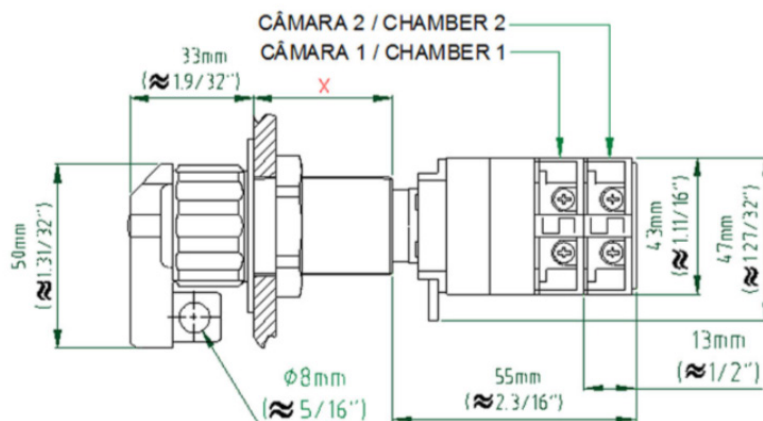
DIMENSIONS

X	
mm	inch
25mm	≈ 1"
40mm	≈ 1.19/32"
57mm	≈ 2.1/4"

M22 X 1,5



3/4"NPSM



ROTARY SWITCHES WITH CAGE

Ordering Code

ORDERING CODE

SGEXXGCAG A + B(B1 + B2)

X

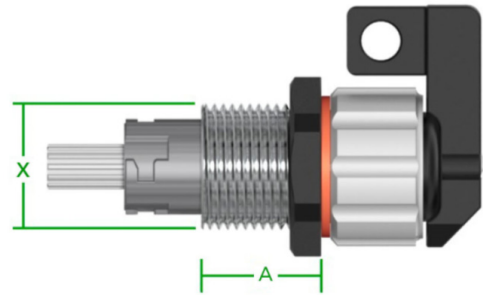
THREAD SIZE

size	M22x1,5	3/4"NPSM
code	22	26

A

THREAD LENGTH

length	25mm	40mm	57mm
code	N	L	X

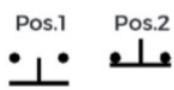


B

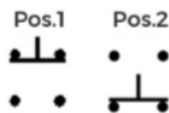
SWITCH FUNCTION

EXAMPLE 1

SWITCH FUNCTION	ON/OFF POSITIONS Angle comutation: 90°	DOUBLE-THROW WITHOUT OFF POSITION Angle comutation: 90°	DOUBLE-THROW WITH OFF POSITION Angle comutation: 45°
CODE	IN	RS	RC
POLE N°	1 POLE	1 POLE	1 POLE
POLE N° CODE	1	1	1
POSITION N°	2 POSITIONS	2 POSITIONS	3 POSITIONS
POSIT. N° CODE	2	2	3



IN1220



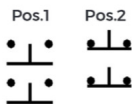
RS1220SJ



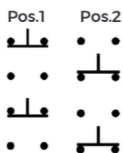
RC1320SJ

EXAMPLE 2

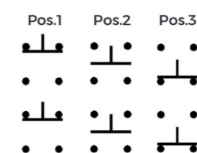
SWITCH FUNCTION	ON/OFF POSITIONS Angle comutation: 90°	DOUBLE-THROW WITHOUT OFF POSITION Angle comutation: 90°	DOUBLE-THROW WITH OFF POSITION Angle comutation: 45°
CODE	IN	RS	RC
POLE N°	2 POLE	2 POLE	2 POLE
POLE N° CODE	2	2	2
POSITION N°	2 POSITIONS	2 POSITIONS	3 POSITIONS
POSITION N° CODE	2	2	3



IN2220



RS2220SJ



RC2320SJ

ROTARY SWITCHES WITH CAGE

Accessories

NOTES

NOTE 01

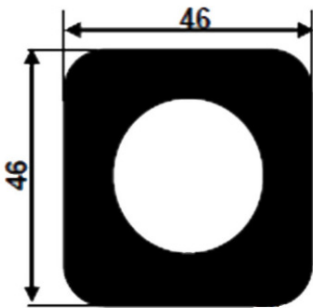
SWITCH FUNCTION	CODE	POSITION N°	POLES N°	MAX. CONTACTS N°
ON/OFF	IN	ALWAYS 2 POSITIONS	MAX. 12 POLES	12 CONTACTS
DOUBLE THROW W/ OFF	RC	ALWAYS 3 POSITIONS	MAX. 6 POLES	12 CONTACTS
DOUBLE THROW WITHOUT OFF	RS	ALWAYS 2 POSITIONS	MAX. 6 POLES	12 CONTACTS

NOTE 02

- The letters "SJ" added at the end of the switch function part numbers mean "without jumper".
- For special configurations, please contact Sermatex Engineering Department.
- The number "20" added after the switch function part numbers mean the rated current for this operator

ACCESSORIES

FACE PLATE (for M22x1,5 or 3/4" NSPM thread)



Thickness: 1,3mm

CODE S2PC

Unless specified otherwise in the order, these plates will be supplied with standard numbered position.

Exs:

SGEX22GCAG_IN2220 - MARKING: 0-1

SGEX22GCAG_RC1320SJ - MARKING: 1-0-2

NOTE: In standard delivery this item is already supplied with the product.

SAFEGUARD ACTUATION WITH HASP FOR PADLOCK

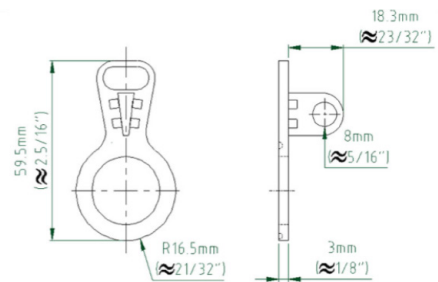
(for M22x1,5 or 3/4" NSPM thread)

CODE BATENTE1

This back plate allows the lever to be locked in place with a padlock.



DIMENSIONS (mm)



SAFEGUARD ACTUATION WITH HASP FOR PADLOCK

(for M22x1,5 or 3/4" NSPM thread)

CODE TRAVA-CA

This back plate allows the lever to be locked in place with a padlock, when there are other switchable positions on both sides of the position locked.

NOTE: When this accessory is used, the rotary switch code must have the letter "V" at the end of the code.

Example: SGEX22GCAGNRC2320SJV



DIMENSIONS (mm)

