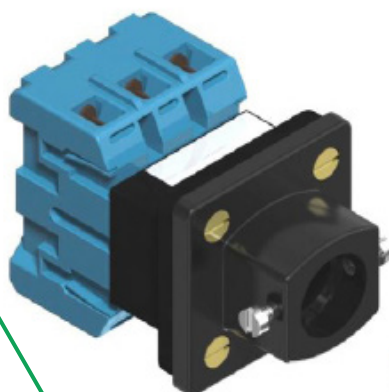


# DISCONNECT SWITCH ON/OFF

GCA



SGEX2\_GCA\_IN\_ (32B, 40B, 63B)



SGEX2\_GCA\_IN\_ (32, 40, 63)








sermat **GRÜN**  
**ex**

REV.20 / 06.03.2025

# DISCONNECT SWITCH

## Technical Data

### TECHNICAL SPECIFICATION

TYPE OF PROTECTION	Ex "d" – Flameproof Ex "t" – Dust ignition protection	Explosion proof Dust ignition proof	Ex "d" – Flameproof Ex "t" – Dust ignition protection
MARKING	Ex db IIC Gb Ex tb IIIC Db	Class I, Groups B, C, D Class II, Groups E, F, G Class III	II 2 G Ex db IIC / IIB +H <sub>2</sub> Gb II 2 D Ex tb IIIC Db
AREA OF APPLICATION	Zone 1 Zone 2 Zone 21 Zone 22	Class I, Div 1 & 2, Groups B, C, D. Class II, Div 1 & 2, Groups E, F, G. Class III	Zone 1 Zone 2 Zone 21 Zone 22
INGRESS PROTECTION	IP66W (W: salt spray)	Type 4X	IP66
TEMPERATURE RANGE	-50°C to 60°C (-40°F to 158°F)	-50°C to 60°C (-40°F to 158°F)	-50°C to 100°C (-40°F to 212°F)
THREAD SIZE	M22 x 1,5 3/4" NPSM	M22 x 1,5 3/4" NPSM	M22 x 1,5 3/4" NPSM
THREAD LENGTH	25mm (Normal) 40mm (Long) 57mm (Extra Long)	25mm (Normal) 40mm (Long) 57mm (Extra Long)	25mm (Normal) 40mm (Long) 57mm (Extra Long)
INSTALLATION	<b>for M22x1,5 THREAD</b> in Ex "d" enclosures : (min. wall thickness : 8 mm engaged thread) in Ex "tb" enclosures : (min. wall thickness : 3 mm engaged thread)	<b>for M22x1,5 THREAD</b> in Ex "d" enclosures : (min. 6 fully engaged threads) in Ex "tb" enclosures : (min. 3 fully engaged threads)	<b>for M22x1,5 THREAD</b> in Ex "d" enclosures : (min. wall thickness : 8 mm engaged thread) in Ex "tb" enclosures : (min. wall thickness : 3 mm engaged thread)t
	<b>for 3/4"NPSM THREAD</b> in Ex "d" enclosures : (min. 5 fully engaged threads) in Ex "tb" enclosures : (min. wall thickness : 3,7 mm engaged thread)	<b>for 3/4"NPSM THREAD</b> in Ex "d" enclosures : (min. 7 fully engaged threads) in Ex "tb" enclosures : (min. 3 fully engaged threads)	<b>for 3/4"NPSM THREAD</b> in Ex "d" enclosures : (min. 5 fully engaged threads) in Ex "tb" enclosures : (min. wall thickness : 3,7 mm engaged thread)
CERTIFICATE OF COMPLIANCE	<p><b>Segurança</b></p>   <p>OCP 0034 INMETRO</p>	 <p>UL LISTED</p>	  <p>ATEX I IECEx</p>
	INMETRO NCC 24.0128 U	UL UL: E489210	ATEX I IECEx UL 21 ATEX 2390U IECEx ULBR 21.0004U

# DISCONNECT SWITCH

## Technical Data

### ELECTRICAL INFORMATION

BREAKING CAPACITY AC		RATED VOLTAGE			BREAKING CAPACITY FOR DC		690V			
		RATED CURRENT					RATED CURRENT			
		32A	40A	63A			32A	40A	63A	
AC-3	220V-240V	4kW	7.5kW	11kW	RESISTIVE LOADS T < 1ms	24V	25A	40A	63A	
	380V-440V	7.5W	11kW	18.5W		48V	20A	32A	40A	
AC-15	220V-240V	8A	14A	16A		60V	7.5A	23A	27A	
	380V-440V	5A	6A	7A		110V	1.5A	6.5A	-----	
AC-22A	220V-240V	25A	32A	40A		INDUCTIVE LOADS T=50ms	24V	20A	32A	40A
	380V-440V	25A	32A	40A			48V	3A	16A	20A
AC-23A	220V-240V	5.5kW	7.5kW	11kW	60V		1.5A	11A	15A	
	380V-440V	11kW	15kW	22kW	110V		0.5A	0.5A	3.5A	

### DIMENSIONS

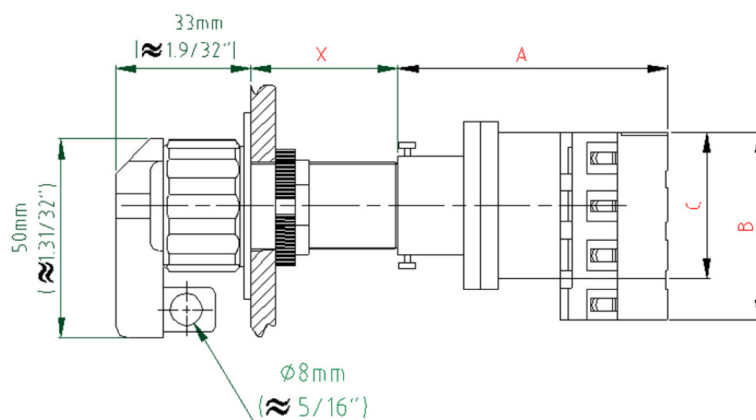
X	
(mm)	(inch)
25mm	≈ 1"
40mm	≈ 1.19/32"
57mm	≈ 2.1/4"

A	
CURRENT	(mm)
32A	78
40A	85
63A	85

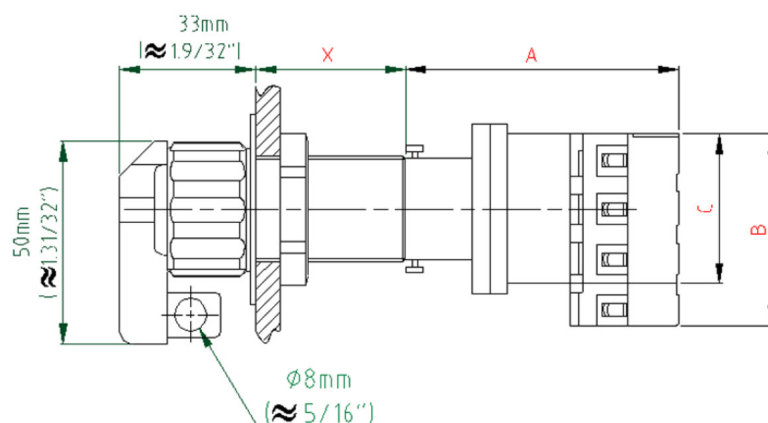
B	
CURRENT	(mm)
32A	57x57
40A	67x67
57A	67x67

C	
CURRENT	(mm)
32A	42x57
40A	50x67
63A	50x67

M22 X 1,5



3/4" NPSM



# DISCONNECT SWITCH

## Ordering Code

### ORDERING CODE

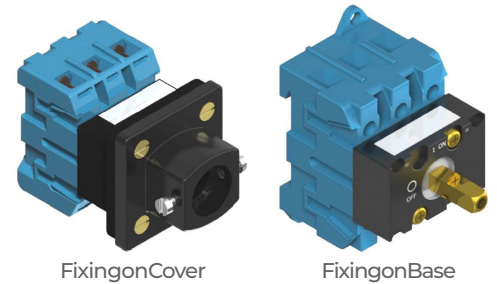
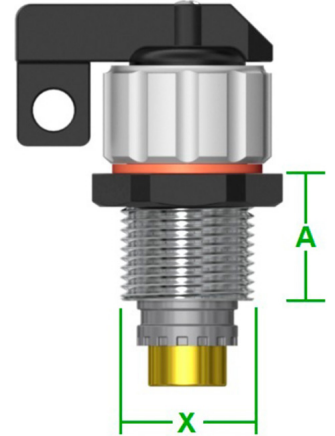
SGEXXGCA A + B (B1 + B2 + B3)

X THREAD SIZE		
size	M22x1,5	3/4"NPSM
code	22	26


A THREAD LENGTH			
length	25mm	40mm	57mm
code	N	L	X


B N' POLES, CURRENT AND FIXING		
--------------------------------	--	--

B1	POLE N°	3 POLES	4 POLES	
	POLE N° CODE	IN32	IN42	
B2	CURRENT	32 A	40 A	63 A
	POSIT. N° CODE	32	40	63
B3	FIXING	FIXING ON COVER	FIXING ON BASE	
	POSIT. N° CODE	-	B	



### CODIFICATION EXAMPLES

	+	3/4NPSM LENGTH 25MM	+	3 POLES	+	CURRENT: 32 A	+	FIXING: ONCOVER	=	SGEX26GCANIN3232
SGEX26GCA		N		IN32		32		-		

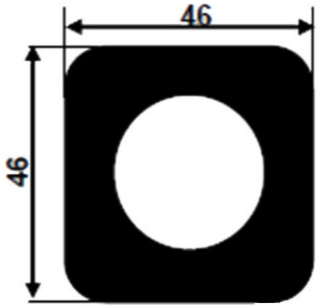
	+	3/4NPSM LENGTH 25MM	+	4 POLES	+	CURRENT: 40 A	+	FIXING: ON BASE	=	SGEX26GCANIN4240B
SGEX26GCA		N		IN42		40		B		

# DISCONNECT SWITCH

## Accessories

### ACCESSORIES

#### FACE PLATE (for M22x1,5 or 3/4" NPSM thread)



Thickness: 1,3mm

CODE S2PC

Unless specified otherwise in the order, these plates will be supplied with standard numbered position.

Exs:  
SGEX22GCANIN3232 - MARKING: 0-1

NOTE: In standard delivery this item is already supplied with the product.

#### SAFEGUARD ACTUATION WITH HASP FOR PADLOCK

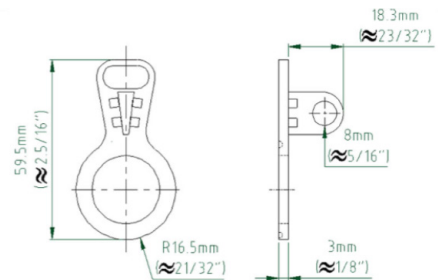
(for M22x1,5 or 3/4" NPSM thread)



CODE BATENTE1

This back plate allows the lever to be locked in place with a padlock.

#### DIMENSIONS (mm)



#### SAFEGUARD ACTUATION WITH HASP FOR PADLOCK

(for M22x1,5 or 3/4" NPSM thread)



CODE TRAVA-CA

This back plate allows the lever to be locked in place with a padlock, when there are other switchable positions on both sides of the position locked.

NOTE: When this accessory is used, the rotary switch code must have the letter "V" at the end of the code.

Example: SGEX22GCANIN4232V

#### DIMENSIONS (mm)

