

# MODULAR ENCLOSURE

FOR STROBE LIGHT

IMRRSTB



sermat **GRÜN**  
**ex**

REV.03 / 28.02.2025

p. 1 de 3

# MODULAR ENCLOSURE FOR STROBE LIGHT

## Technical data

### SPECIFICATIONS

TYPE OF PROTECTION	Ex "d" – Flameproof Ex "e" - Increased safety Ex "t" – Dust ignition protection
MARKING	Ex d e IIC T6 Gb IP66W Ex tb IIIC T 85°C Db
AREA OF APPLICATION	Zone 1 Zone 2 Zone 21 Zone 22
INGRESS OF PROTECTION	IP66W (W: 200h salt pray)
TEMPERATURE CLASS	T6

CERTIFICATE OF CONFORMITY

### Segurança



OCP 0034



INMETRO

INMETRO

NCC 24.0123

### ELECTRICAL SPECIFICATIONS

RATED VOLTAGE	24Vdc 110Vac 220Vac
POWER	~ 13W (24Vdc) ~ 10VA (130Vac ou 220 Vac)
CURRENT	600mA (24Vdc) 30mA (130Vac ou 220Vac)
FREQUENCY	50Hz 60Hz
LIFESPAN AND FLASH FREQUENCY	1.000.000 flashes ~60/min
WEIGHT	2,1Kg

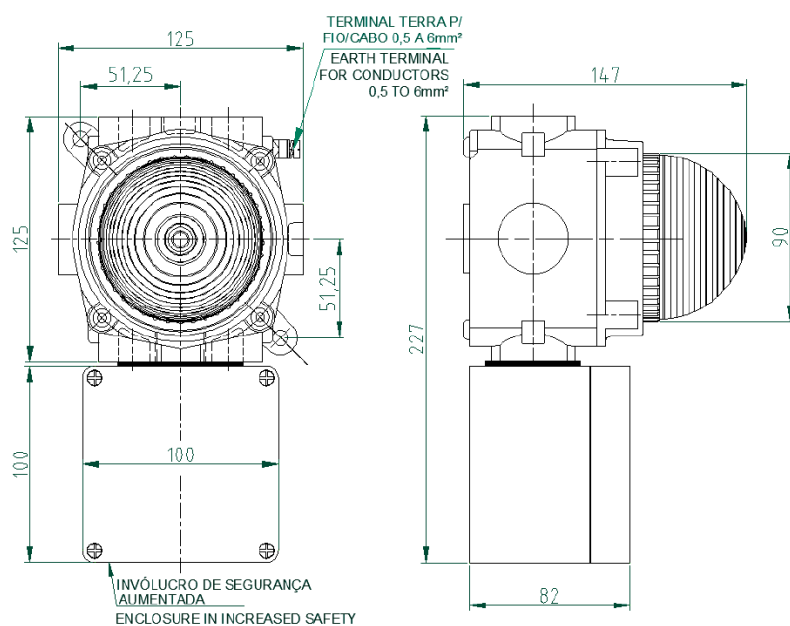
# MODULAR ENCLOSURE FOR STROBE LIGHT

## Technical data

### DIMENSIONS(MM)

#### ISRRSTB

Dimensões (mm)  
Dimensions (mm)



### OPTIONAL THREADED HOLES

#### FURAÇÕES OPCIONAIS PARA ENTRADA / SAÍDA DE CABOS OPTIONAL THREADED HOLES FOR CABLE INLETS / OUTLETS

Roscas Threads	Face A	Face B	Face C
BSP			
1"	X	X	X
3/4"	X	X	X
1/2"	X	X	X
Métrica			
M20x1,5	X	X	X
M22x1,5	X	X	X
M25x1,5	X	X	X
M32x1,5	X	X	X

