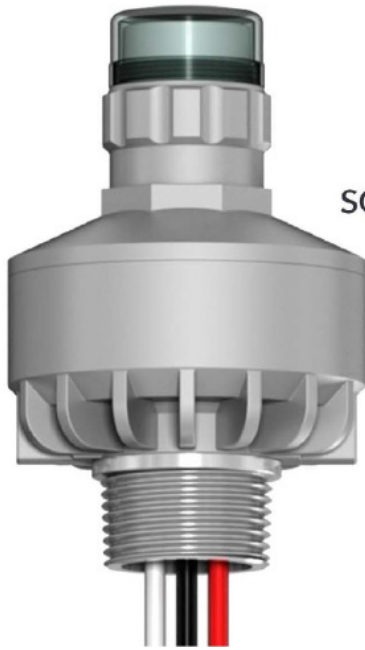
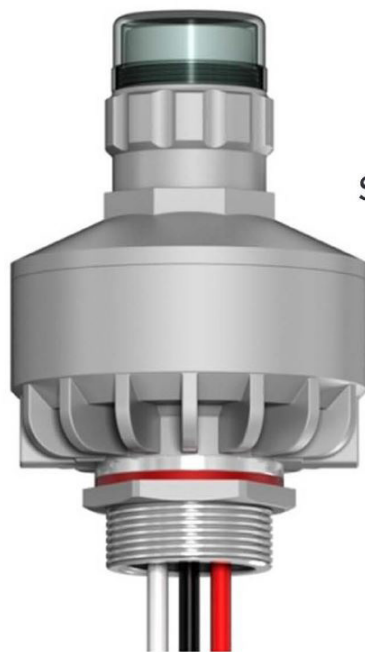


PHOTOELECTRIC RELAY

RFE



SG-EX RFE1NPT
(1" NPT)



SG-EX RFEM32
(M32x1,5)



sermat **GRÜN**
ex

REV.19 / 07.03.2025

PHOTOELECTRIC RELAY - RFE

Technical Data

SPECIFICATIONS

TYPE OF PROTECTION	Ex "d" - flameproof Ex "t" - dust ignition protection	Ex "d" - flameproof
MARKING	Ex db IIC T6 Gb Ex tb IIIC T85 C Db	Ex db IIC T6 Gb
AREA OF APPLICATION	Zone 1 Zone 2 Zone 21 Zone 22	Zone 1 Zone 2
INGRESS PROTECTION	IP66W (W: Salt Spray)	IP66
TEMPERATURE RANGE	-40°C to 70°C (-40°F to 158°F)	-40°C to 70°C (-40°F to 158°F)
THREAD SIZE	M32x1,5 1"NPT	M32x1,5 1"NPT
THREAD LENGTH	15 mm (for M32x1,5) 17 mm (for 1"NPT)	15 mm (for M32x1,5) 17 mm (for 1"NPT)
INSTALLATION	FOR M32X1,5 THREAD	FOR M32X1,5 THREAD
	in Ex "d" enclosures: (min. wall thickness: 8mm engaged thread)	in Ex "d" enclosures: (min. wall thickness: 8mm engaged thread)
	in Ex "e" enclosures: (min. wall thickness: 3mm)	in Ex "e" enclosures: (min. wall thickness: 3mm)
	in Ex "tb" enclosures: (min. wall thickness: 3 mm)	
CERTIFICATIONS	FOR 1"NPT THREAD	FOR 1"NPT THREAD
	in Ex "d" enclosures: (min. 4,5 fully engaged threads). in Ex "tb" enclosures: (min 4,5 fully engaged threads).	in Ex "d" enclosures: (min. 4,5 fully engaged threads).

Segurança



OCP 0034



INMETRO



INMETRO

NCC 24.0130 X

ATEX

IECEx

SIRA ATEX 1297X
IECEx CSA 16.0050X

PHOTOELECTRIC RELAY - RFE

Technical Data



ELECTRICAL SPECIFICATION

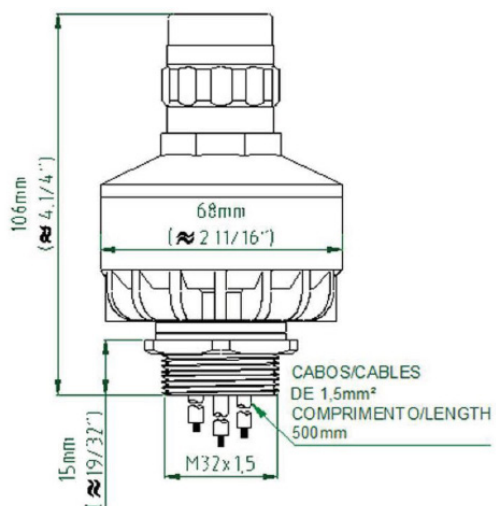
MAXIMUM LOAD	1,0 KW - RESISTIVE LAMPS 1,8 KVA - LOAD WITH FP < 1
FREQUENCY	50 / 60 HZ
RATED CURRENT	10 A
VOLTAGE RANGE	100 VAC - 260 VAC
POWER CONSUMPTION	< 1,0 W
CABLE COLORS	BLACK , RED , WHITE
FAIL MODE	FAIL OFF (STANDARD) FAIL ON



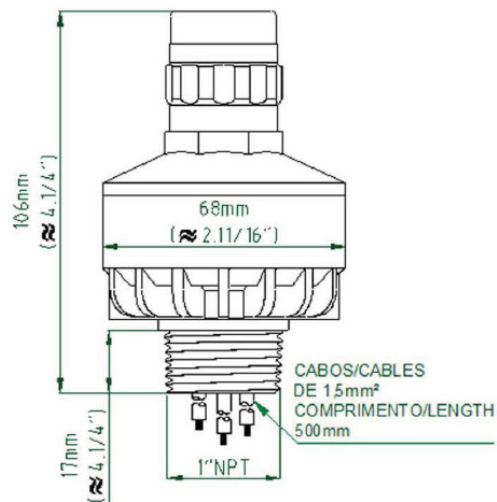
DIMENSIONS

M32X1,5

EARTH WASHER
CABO/CABLE
DE 1,5mm²
COMPRIMENTO/LENGTH
500mm



1"NPT

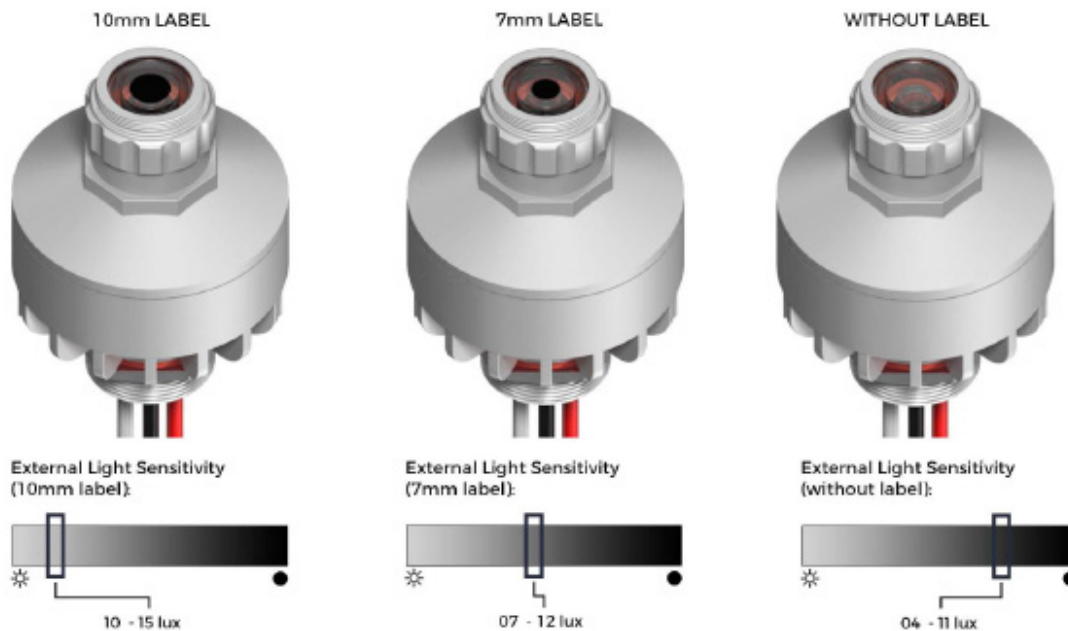


PHOTOELECTRIC RELAY - RFE

Technical Data

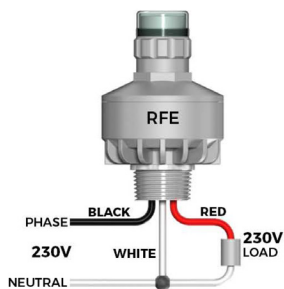
SERMATEX DIFFERENTIAL

LIGHT SENSIVITY - ADJUSTABLE

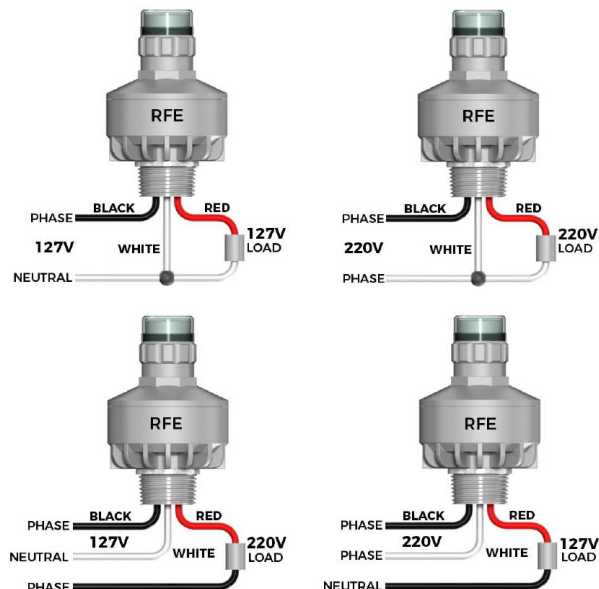


WIRING DIAGRAM AND IDENTIFICATION LABEL

FOR 230 V / 400 V NETWORK



FOR 127 V / 220 V NETWORK



CODES

- SG-EX RFEM32X15:** Photocell M32x1.5 Fail OFF
- SG-EX RFE1NPT:** Photocell 1"NPT Fail OFF
- SG-EX RFEM32X15F:** Photocell M32x1.5 Fail ON
- SG-EX RFE1NPTF:** Photocell 1"NPT Fail ON