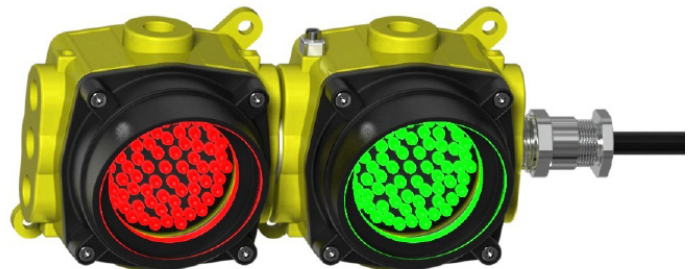
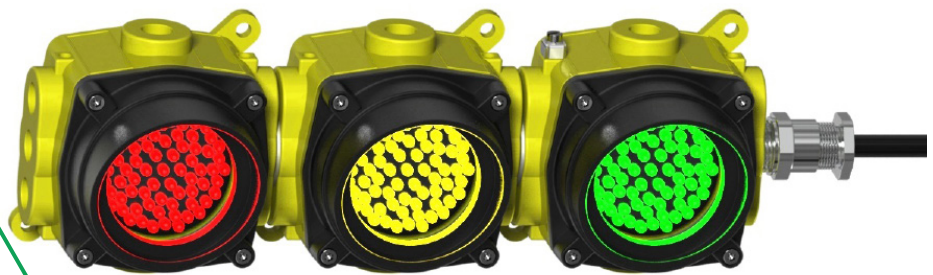


FLAMEPROOF AND DUST PROOF TRAFFIC LIGHT

ISRRPL



sermat **GRÜN**
ex

REV.02 / 07.03.2025

FLAMEPROOF AND DUST PROOF TRAFFIC LIGHT

Technical data

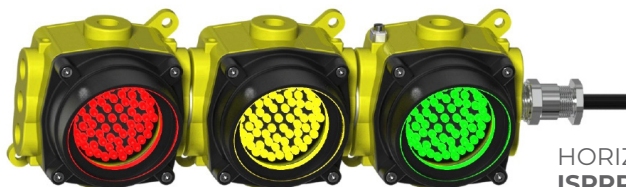
SPECIFICATIONS



VERTICAL:
ISRRPL_241V



VERTICAL:
ISRRPL_21V_



HORIZONTAL:
ISRRPL_241H



HORIZONTAL:
ISRRPL_21H_

| | |
|---------------------------|--|
| TYPE OF PROTECTION | Ex "d" – flameproof Ex "t" – dust ignition protection |
| MARKING | Ex db IIC T6 Gb IP66W Ex tb IIIC T85 °C Db IP66W |
| AREA OF APPLICATION | Zone 1 Zone 2 Zone 21 Zone 22 |
| INGRESS PROTECTION | IP66W (W: salt spray) |
| CLASS OF TEMPERATURE | T6 |
| POWER | ~ 1 W (24 Vdc) ~ 9 VA (130 Vac or 220 Vac) |
| AVAILABLE LIGHT COLORS | Green, Red, Yellow, Blue, White e Orange. |
| VOLTAGE | 24 Vdc 130 Vac 220 Vac |
| CURRENT | 40 mA |
| FREQUENCY | 50 / 60 Hz |
| WEIGHT | 2,750 kg (2 colors) ; 4,200 kg (3 colors). |
| CERTIFICATE OF COMPLIANCE | |

Segurança



OCP 0034



INMETRO

INMETRO

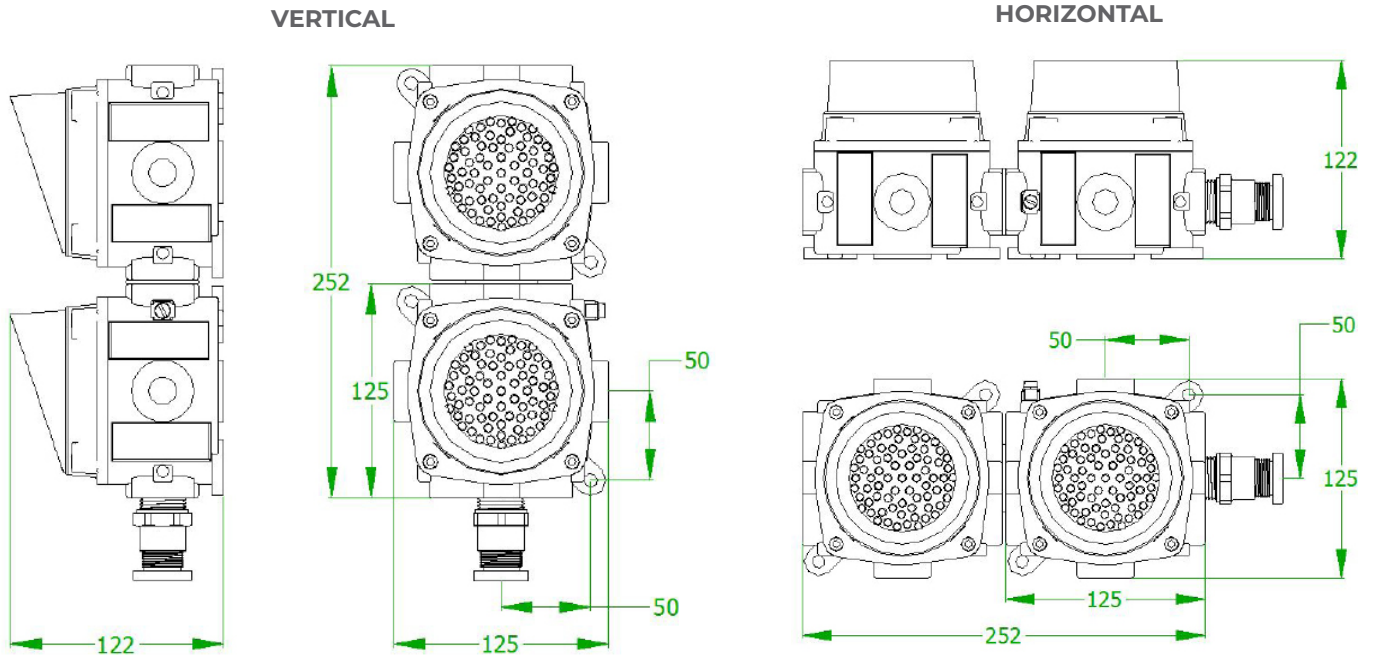
NCC 24.0128 U

FLAMEPROOF AND DUST PROOF TRAFFIC LIGHT

Technical data

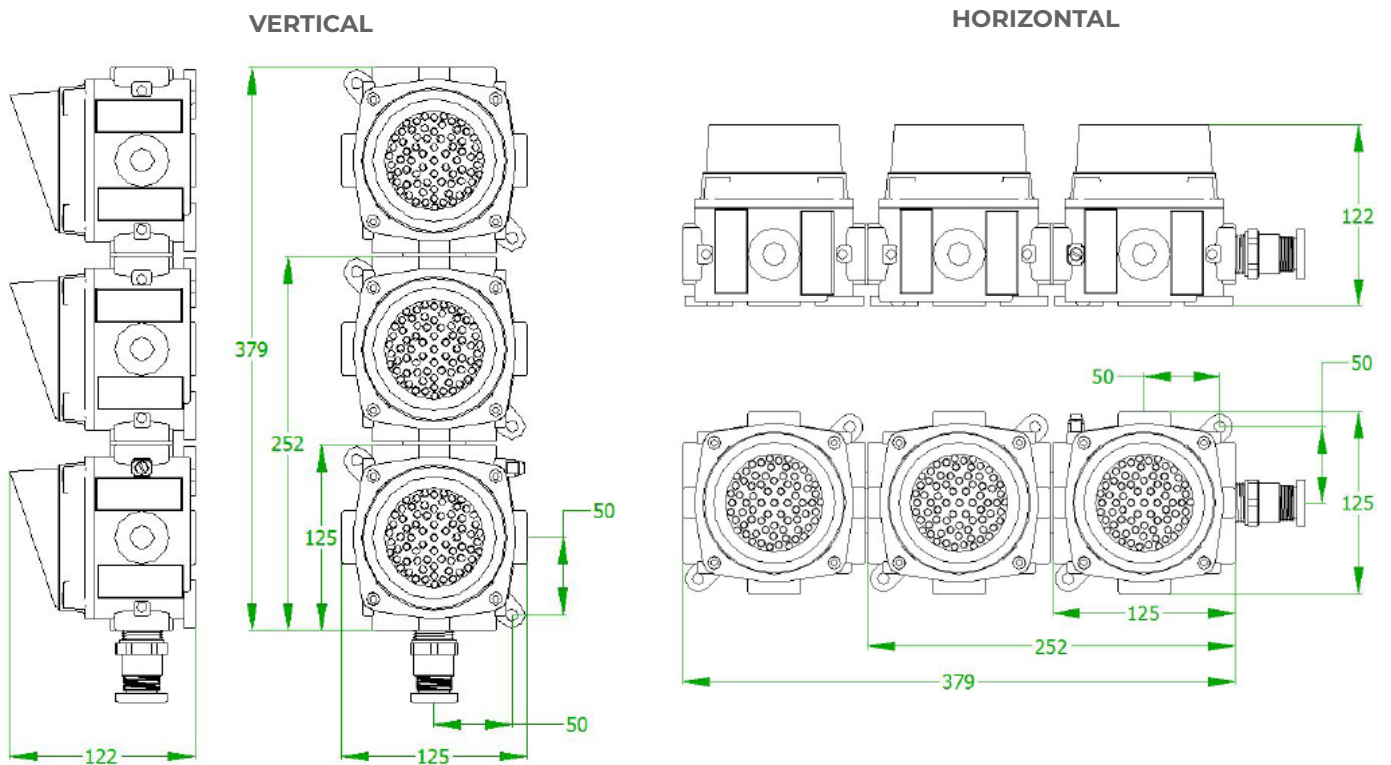
DIMENSIONS (MM)

2 COLORS



DIMENSÕES EM mm.

3 COLORS



DIMENSIONS (mm).

FLAMEPROOF AND DUST PROOF TRAFFIC LIGHT

Ordering code

ORDERING CODE

ISRRPL A + B1 + B2 + C + D (2 COLORS)

| A OPERATING VOLTAGE | | | |
|---------------------|--------|---------|---------|
| voltage | 24 Vdc | 130 Vac | 220 Vac |
| code | B | E | F |

| B TRAFFIC LIGHT COLORS (B1 = UPPER ; B2 = LOWER) | | | | | | |
|--|-------|-----|--------|------|-------|--------|
| color | Green | Red | Yellow | Blue | White | Orange |
| code | 1 | 2 | 4 | 5 | 6 | 0 |

| C TRAFFIC LIGHT POSITION | | |
|--------------------------|----------|------------|
| position | Vertical | Horizontal |
| code | V | H |

| D OPERATING STATE | | |
|-------------------|------------|--------|
| state | Alternated | Common |
| code | I | C |

ISRRPL A + B1 + B2 + B3 + C (3 COLORS)

| A OPERATING VOLTAGE | | | |
|---------------------|--------|---------|---------|
| voltage | 24 Vcc | 130 Vca | 220 Vca |
| code | B | E | F |

| B TRAFFIC LIGHT COLORS (B1 = UPPER ; B2 = MIDDLE ; B3 = LOWER) | | | | | | |
|--|-------|-----|--------|------|-------|--------|
| color | Green | Red | Yellow | Blue | White | Orange |
| code | 1 | 2 | 4 | 5 | 6 | 0 |

| C TRAFFIC LIGHT POSITION | | |
|--------------------------|----------|------------|
| position | Vertical | Horizontal |
| code | V | H |