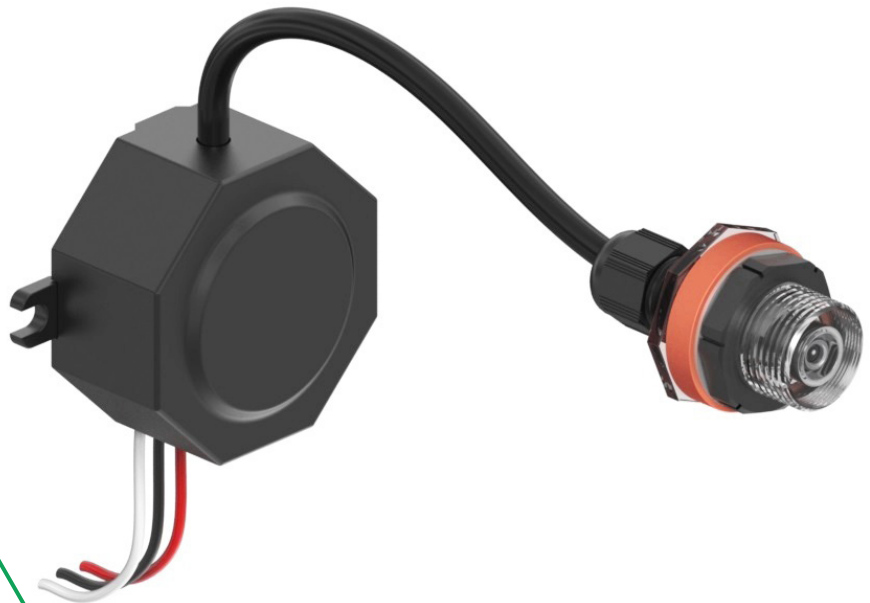
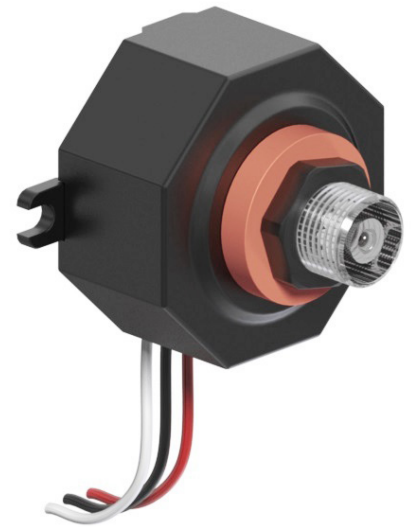
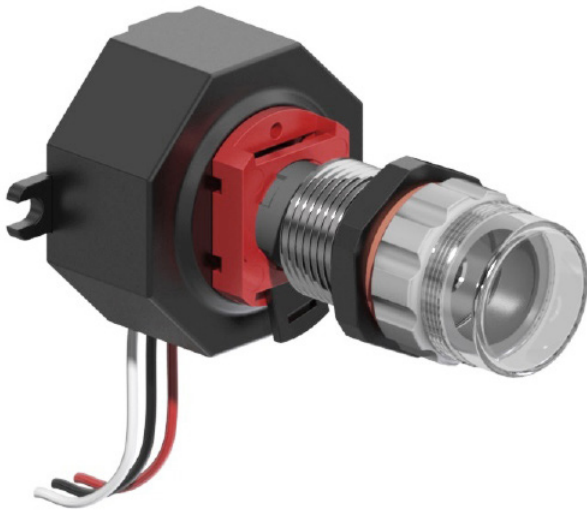


# PHOTOCELL

PM



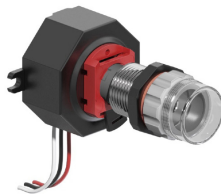
sermat **GRÜN**  
**ex**

REV.20 / 11.06.2025

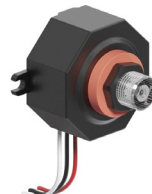
# PHOTOCELL-PM

## Technical Data

### TECHNICAL SPECIFICATION



PM001



PM002



PM003

TYPE OF PROTECTION	Ex "d" – Flameproof Ex "t" – Dust ignition protection Ex "e" - Increased Safety Ex "m" - Encapsulated	Ex "m" - Encapsulated Ex "e"- Increased Safety Ex "t"- Dust ignition protection	Ex "m" - Encapsulated Ex "e"- Increased Safety Ex "t"- Dust ignition protection
MARKING	Ex db IIC Gb Ex eb mb IIC Gb Ex tb IIIC Db Ex mb tb IIIC Db	Ex eb mb IIC Gb Ex mb tb IIIC Db	Ex eb mb IIC Gb Ex mb tb IIIC Db
AREA OF APPLICATION	Zone 1 Zone 2 Zone 21 Zone 22	Zone 1 (Ex "e" only) Zone 2 Zone 21 Zone 22	Zone 1 (Ex "e" only) Zone 2 Zone 21 Zone 22
INGRESS PROTECTION	IP66	IP66	IP66
TEMPERATURE RANGE	-40°C to 80°C	-40°C to 80°C	-40°C to 80°C
THREAD SIZE	M22 x 1.5 3/4" NPSM	M20 x 1.5	M20 x 1.5
CABLE COLORS	Black (PR), Red (VM), White (BR)	Black (PR), Red (VM), White (BR)	Black (PR), Red (VM), White (BR)
MAXIMUM LOAD	115 Vac: 800 VA or 600 W 230 Vac: 1000 VA or 1000 W	115 Vac: 800 VA or 600 W 230 Vac: 1000 VA or 1000 W	115 Vac: 800 VA or 600 W 230 Vac: 1000 VA or 1000 W
FREQUENCY	50 / 60 Hz	50 / 60 Hz	50 / 60 Hz
RATED CURRENT	6 A	6 A	6 A
FAIL MODE	Zero Voltage Actuator	Zero Voltage Actuator	Zero Voltage Actuator
VOLTAGE RANGE	Fail OFF (Standard) or Fail ON	Fail OFF (Standard) or Fail ON	Fail OFF (Standard) or Fail ON
POWER CONSUMPTION	115/230 Vac (+/- 10%)	115/230 Vac (+/- 10%)	115/230 Vac (+/- 10%)
INSTALLATION	< 1,0 W	< 1,0 W	< 1,0 W
	PM001 is installed by the coupling of the pilot light SG-EX PL to the photocell base. Can be installed on enclosures and light fixtures. In Ex "d" enclosures: min. 5 fully engaged threads (for 3/4" NPSM), or min. 8mm engaged thread (for M22x1.5). In Ex "tb" enclosures: min. wall thickness: 3.7mm engaged thread (for 3/4"NPSM) or 3mm engaged thread (for M22x1.5).	Fixed on top, PM002 can be installed on enclosures and light fixtures, through M20x1.5 thread or hole without thread. Min wall thickness: 3mm.  Ø hole without thread: 20.5 mm (M20x1.5)	Fixed by the base, PM003 photocell has a extension cord that provides more flexibility on the sensor placement. Can be installed on enclosures and light fixtures, through M20x1.5 thread or hole without thread. Min wall thickness: 3mm.  Ø hole without thread: 20.5 mm (M20x1.5)

#### Segurança



OCP 0034



INMETRO



ATEX



IECEx

INMETRO  
NCC 24.0128 U (PM001)  
NCC 24.0127 U (PM001, PM002 and PM003)

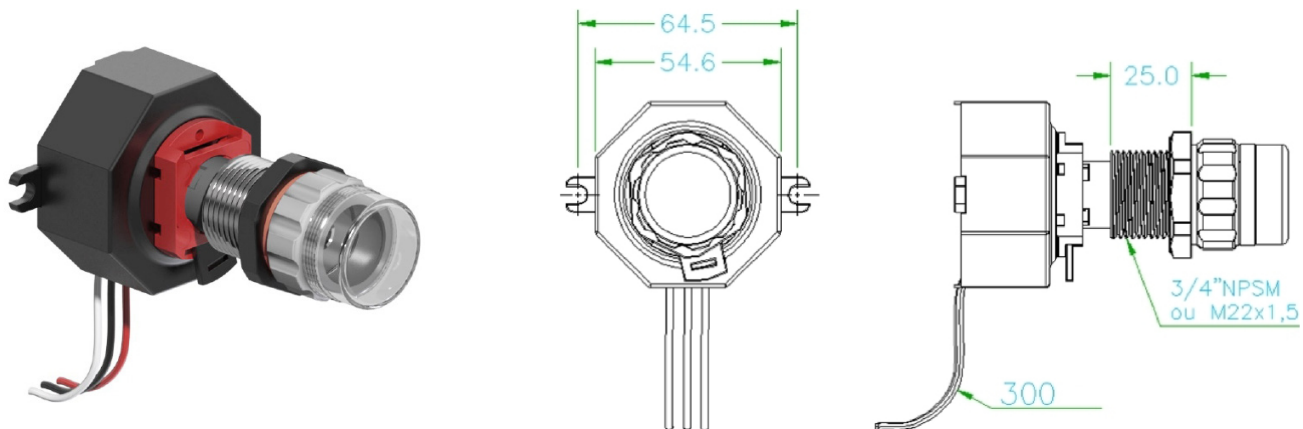
ATEX I IECEx  
IECEx ULBR 21.0004U; UL21 ATEX 2390U (PM001)  
IECEx ULBR23.0004U; UL 23 ATEX 3033U (PM001, PM002 e PM003)

# PHOTOCELL-PM

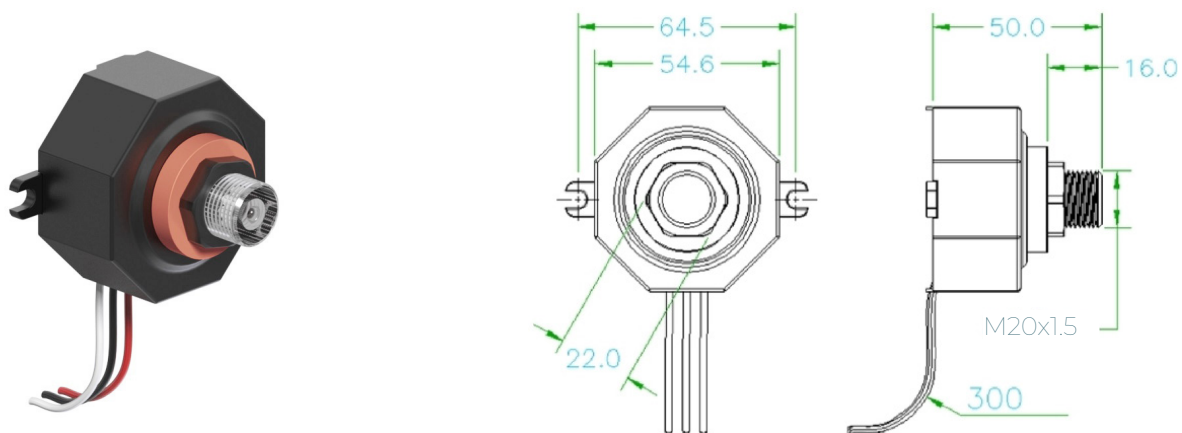
Technical Data

## DIMENSIONS

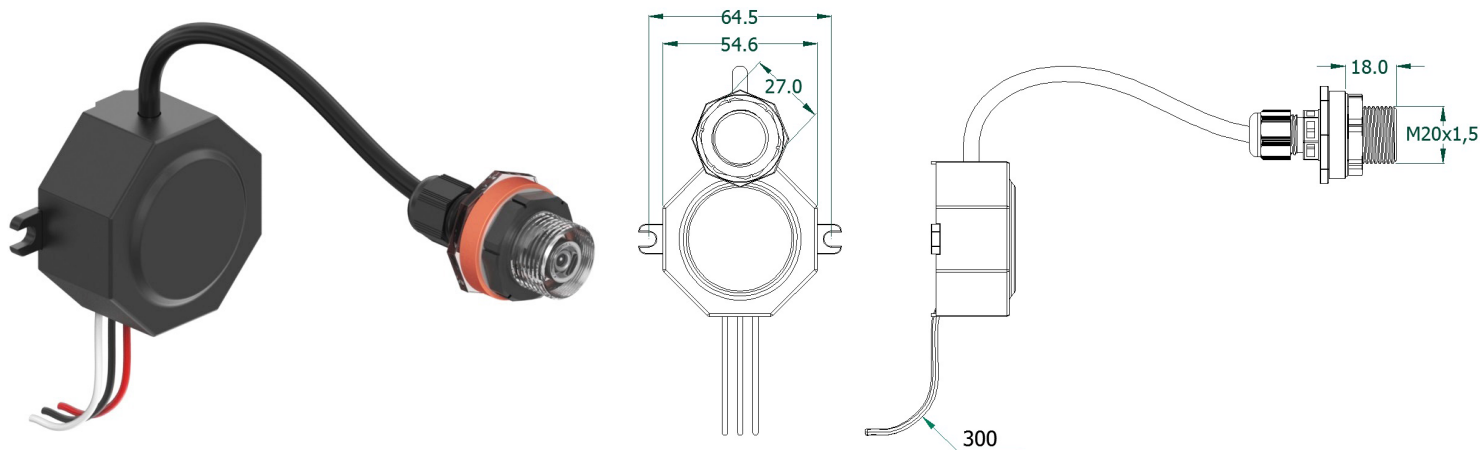
### PM001



### PM002



### PM003

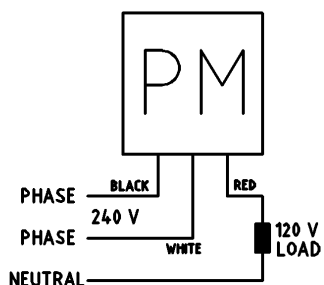
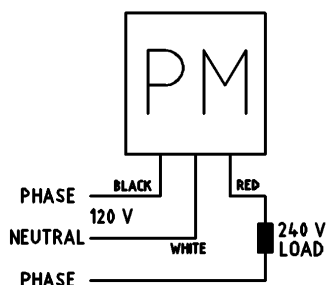
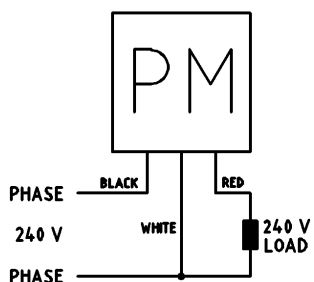
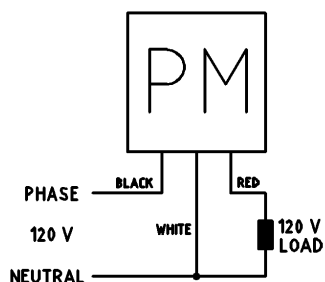


# PHOTOCELL-PM

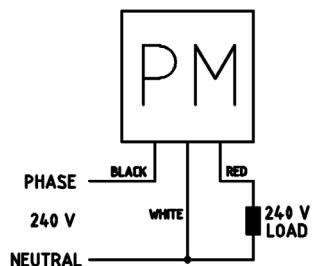
## Technical Data

### ELECTRICAL SCHEME

for 120 V / 240 V network



for 240 V / 400 V network

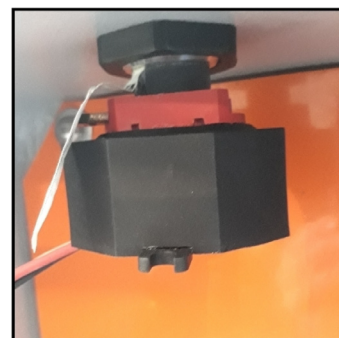
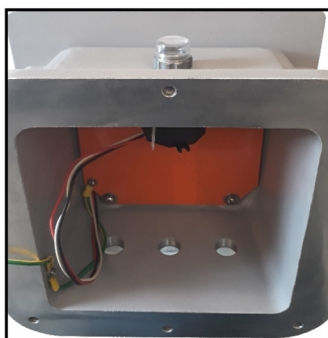


### INSTALLATION

#### PM001

INSTALLATION IN LUMINAIRES AND ENCLOSURES FOR ZONE 1 (INCLUDING FLAMEPROOF EX "D"), ZONE 2, ZONE 21 AND 22

PHOTOCELL PM001



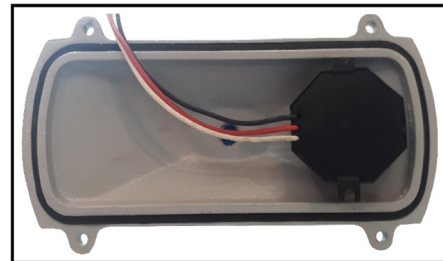
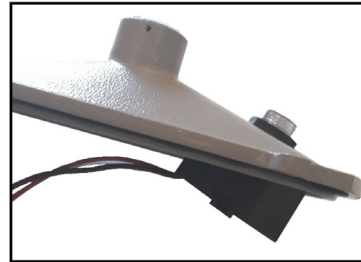
# PHOTOCELL-PM

Technical Data

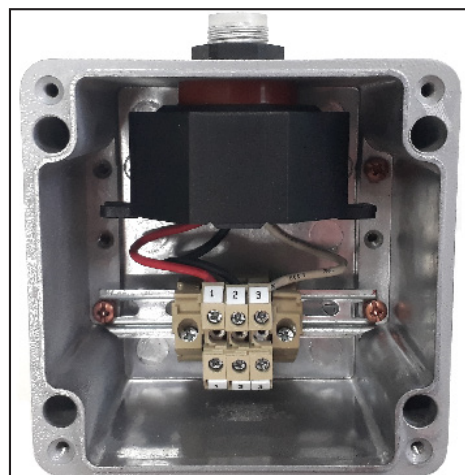
## INSTALLATION

### PM002 OR PM003

INSTALLATION IN LUMINAIRES AND ENCLOSURES FOR ZONE 1 (INCLUDING INCREASED SAFETY EX "E"), ZONE 2, ZONE 21



PHOTOCELL PM002



# PHOTOCELL-PM

Technical Data

## INSTALLATION

PM003

EXAMPLE OF INSTALLATION IN LINEAR LUMINAIRE WITH TYPE OF PROTECTION INCREASED SAFETY EX "E"

